

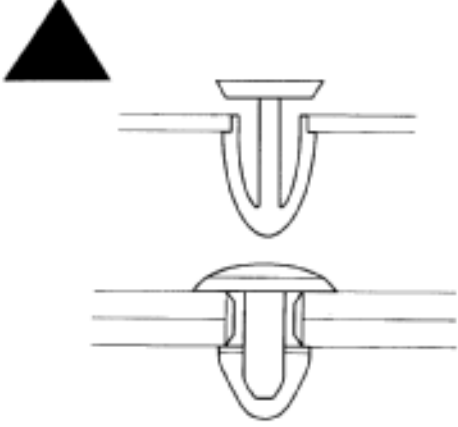
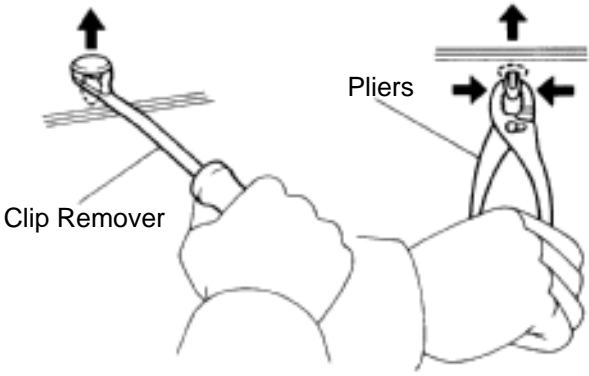
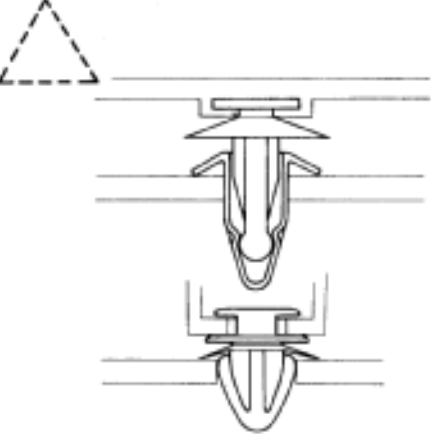
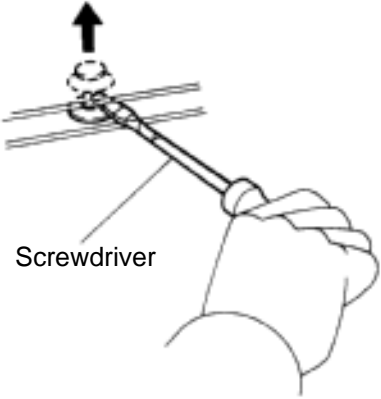
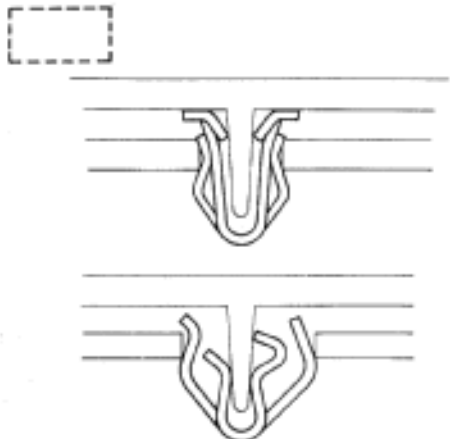
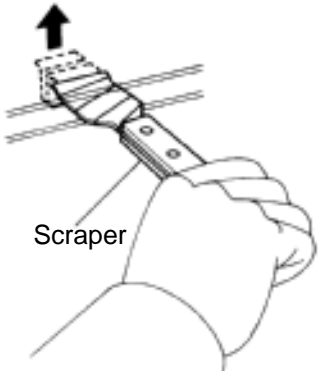
CLIP REPLACEMENT


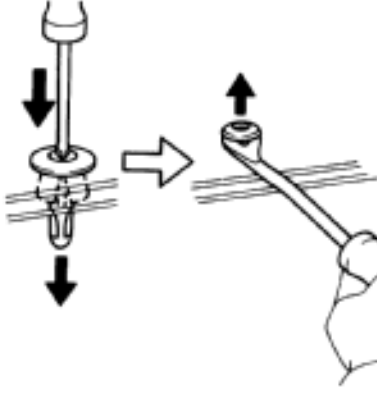
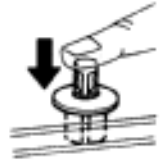

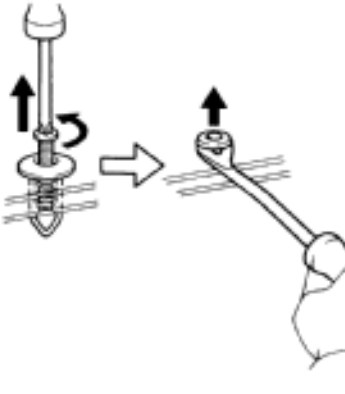

BO0LJ-01

The removal and installation methods of typical clips used in body parts are shown in the table below.

HINT:

If the clip is damaged during the operation, always replace it with a new clip.

Shape (Example)	Removal/Installation
	
	
	

Shape (Example)	Removal/Installation	
	<p data-bbox="895 309 1007 338">Removal</p> 	<p data-bbox="1254 309 1382 338">Installation</p> 
	<p data-bbox="895 808 1007 837">Removal</p> 	<p data-bbox="1254 808 1382 837">Installation</p> 

V00012

SRS AIRBAG

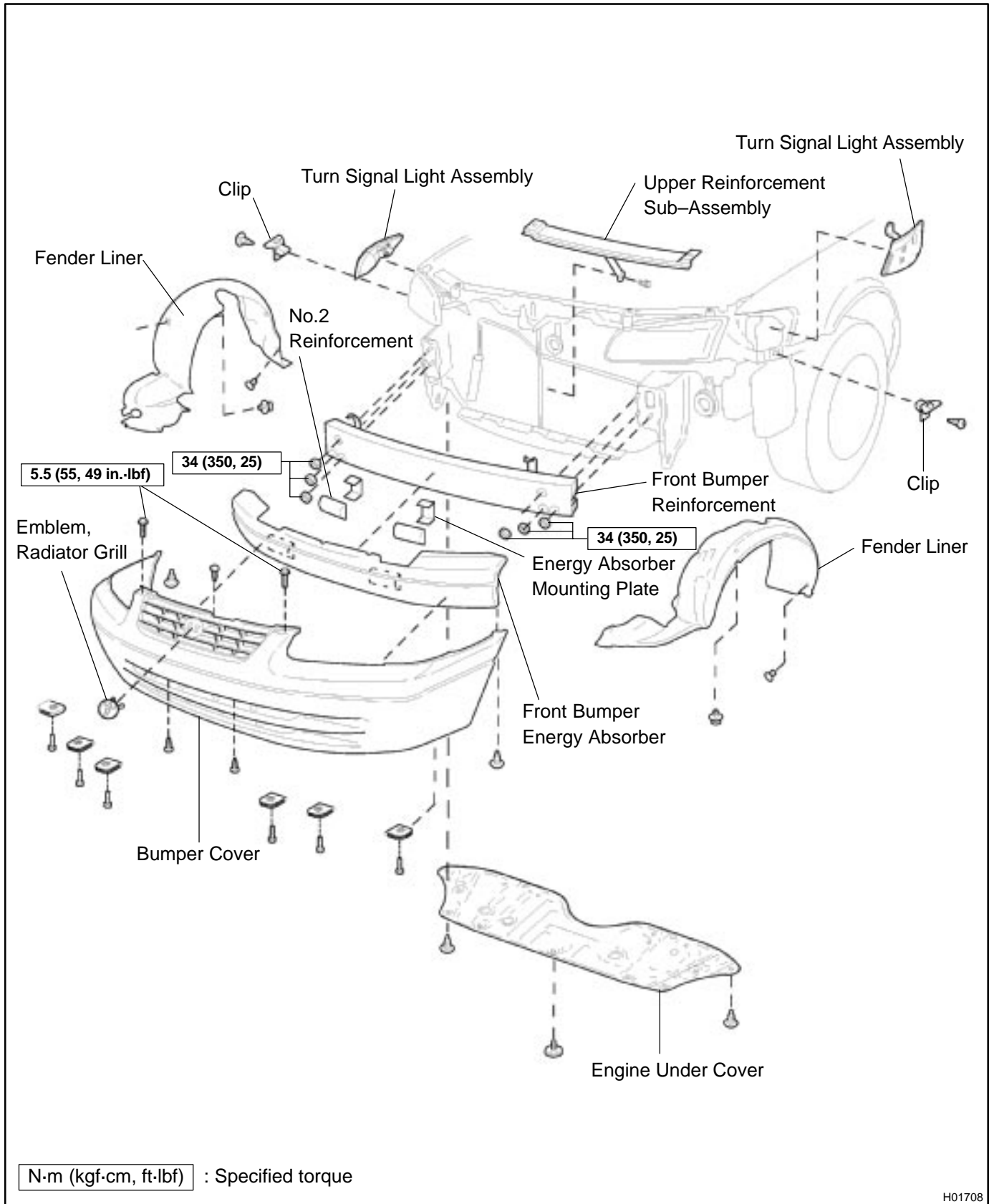
BOOKU-01

PRECAUTION

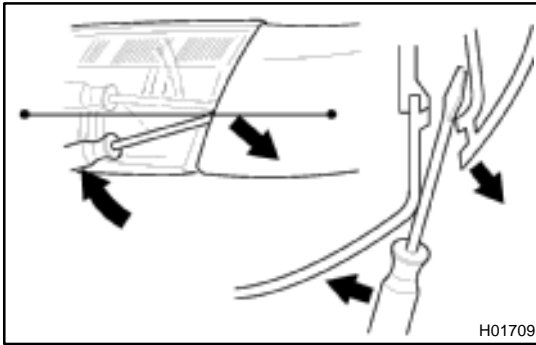
The CAMRY is equipped with SRS (Supplemental Restraint System) such as the driver airbag, front passenger airbag, side airbag and seat belt pretensioner. Failure to carry out service operation in the correct sequence could cause the SRS to unexpectedly deploy during servicing, possibly leading to a serious accident. Before servicing (including removal or installation of parts, inspection or replacement), be sure to read the precautionary notices in the RS section.

FRONT BUMPER COMPONENTS

BOOKV-01



H01708



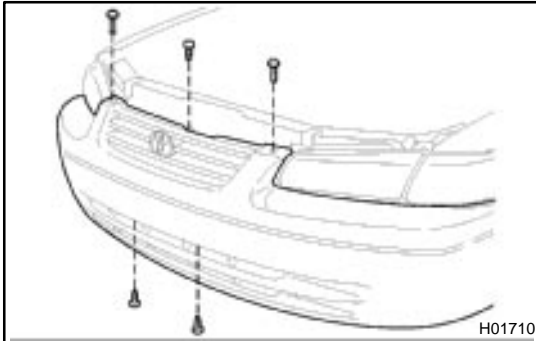
REMOVAL

1. REMOVE THESE PARTS:

- (a) Engine under cover
- (b) Fender liner
- (c) Turn signal light assembly

HINT:

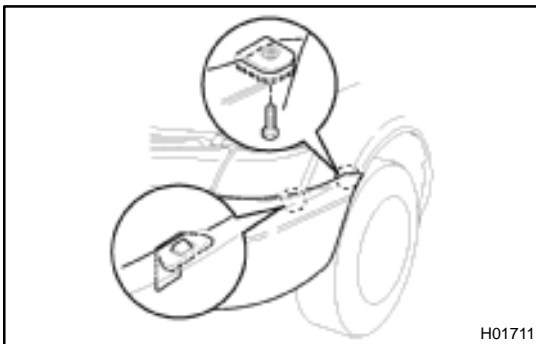
Remove the light assembly as shown.



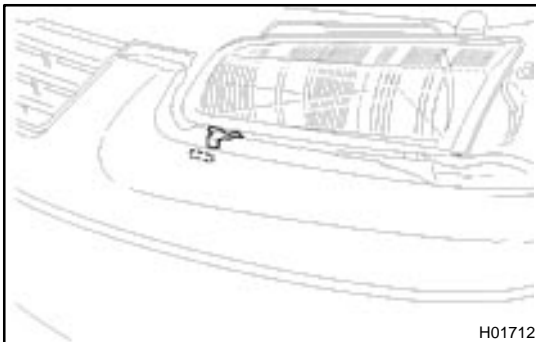
2. REMOVE BUMPER COVER

- (a) Remove the 2 bolts and 3 clips.

Torque: 5.5 N·m (55 kgf·cm, 49 in.-lbf)



- (b) Remove the bolt holding the bumper end to the fender.
- (c) Pull the bumper cover forward to remove the bumper cover from the clip under the turn signal light area.
- (d) Pull the bumper cover forward to remove it.



HINT:

At the time of installation, please refer to the refer to the following item.

Align the holes of the bumper cover with the 2 bumper stays of the reinforcement.

3. REMOVE THESE PARTS:

- (a) Front bumper energy absorber
- (b) Front bumper reinforcement

Torque: 34 N·m (350 kgf·cm, 25 ft-lbf)

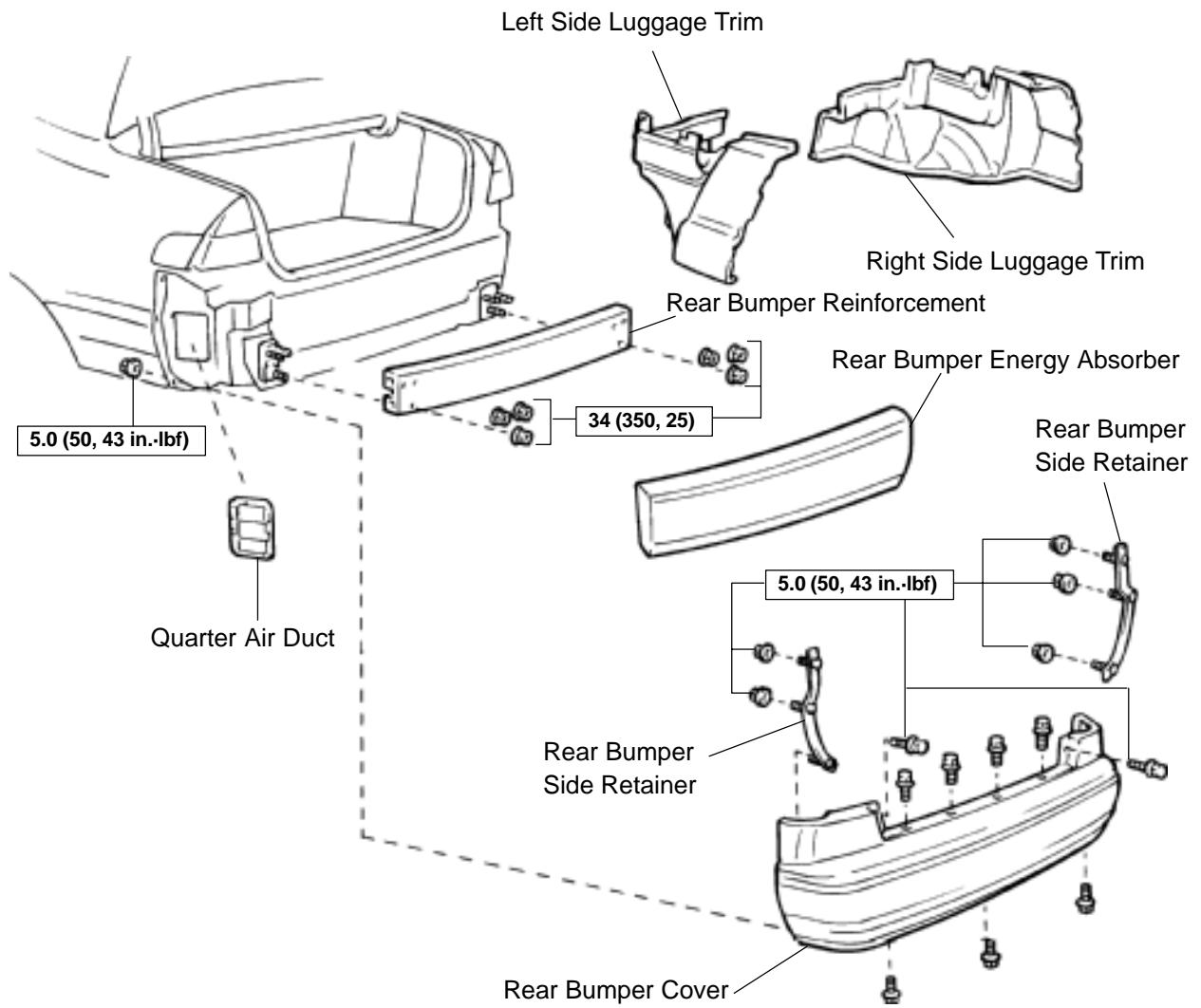
- (c) Front bumper upper reinforcement subassembly

INSTALLATION

Installation is in the reverse order of removal (See page [BO-5](#)).

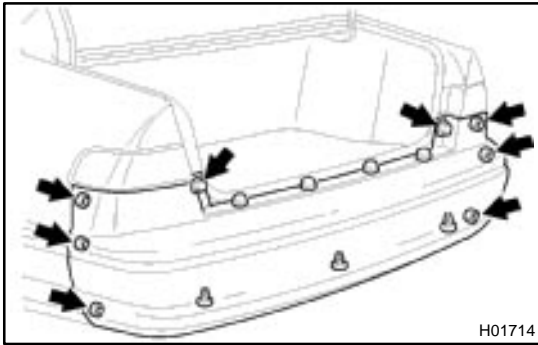
REAR BUMPER COMPONENTS

BOOKY-01



N·m (kgf·cm, ft·lbf) : Specified Torque

H01713



REMOVAL

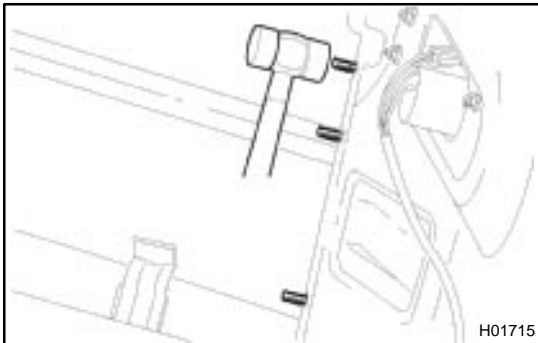
1. REMOVE THESE PARTS:

- (a) Right side luggage trim
- (b) Left side luggage trim

2. REMOVE REAR BUMPER COVER

- (a) Remove the 7 clips, 2 bolts and 6 nuts from the bumper cover.

Torque: 5.0 N·m (50 kgf·cm, 43 in.-lbf)



- (b) Pull the bumper cover rearward to remove it.

HINT:

With a plastic hammer, tap the ends of the bumper end bolts.

- (c) Using a screwdriver, slide the rear bumper side retainers from the bumper ends.
- (d) Remove the 2 gaskets from the side retainers.

HINT:

Use 2 new gaskets.

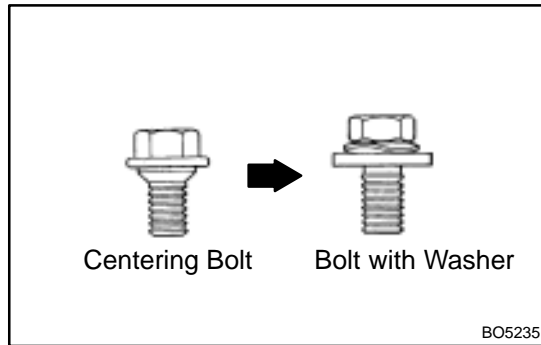
3. REMOVE THESE PARTS:

- (a) Rear bumper energy absorber
- (b) Rear bumper reinforcement

Torque: 34 N·m (350 kgf·cm, 25 ft-lbf)

INSTALLATION

Installation is in the reverse order of removal (See page [BO-8](#)).

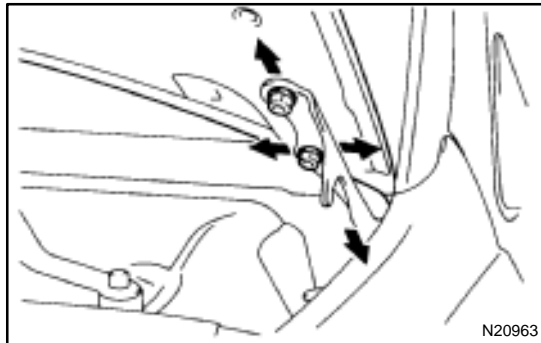


HOOD ADJUSTMENT

BO0L1-01

HINT:

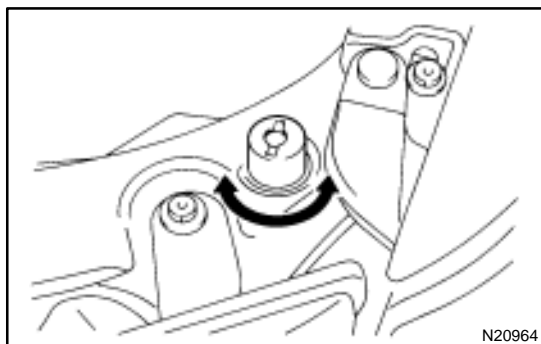
Since the centering bolt is used as the hood hinge and lock set bolt, the hood and lock can not be adjusted with it on. Substitute a bolt and washer for the centering bolt.



1. ADJUST HOOD IN FORWARD/REARWARD AND LEFT/RIGHT DIRECTIONS

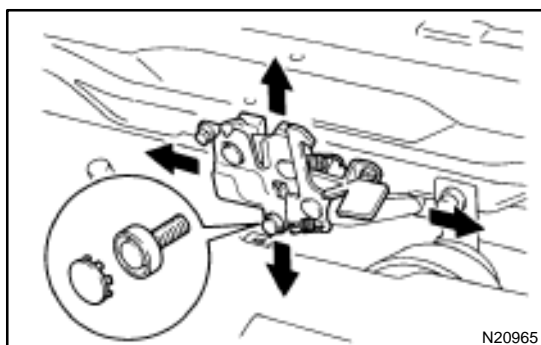
Adjust the hood by loosening the hood side hinge bolts.

Torque: 26 N·m (260 kgf·cm, 19 ft·lbf)



2. ADJUST FRONT EDGE OF HOOD IN VERTICAL DIRECTIONS

Adjust the hood by turning the cushions.



3. ADJUST HOOD LOCK

- (a) Replace each centering bolt with a regular bolt and washer.

Torque: 8.0 N·m (80 kgf·cm, 71 in.-lbf)

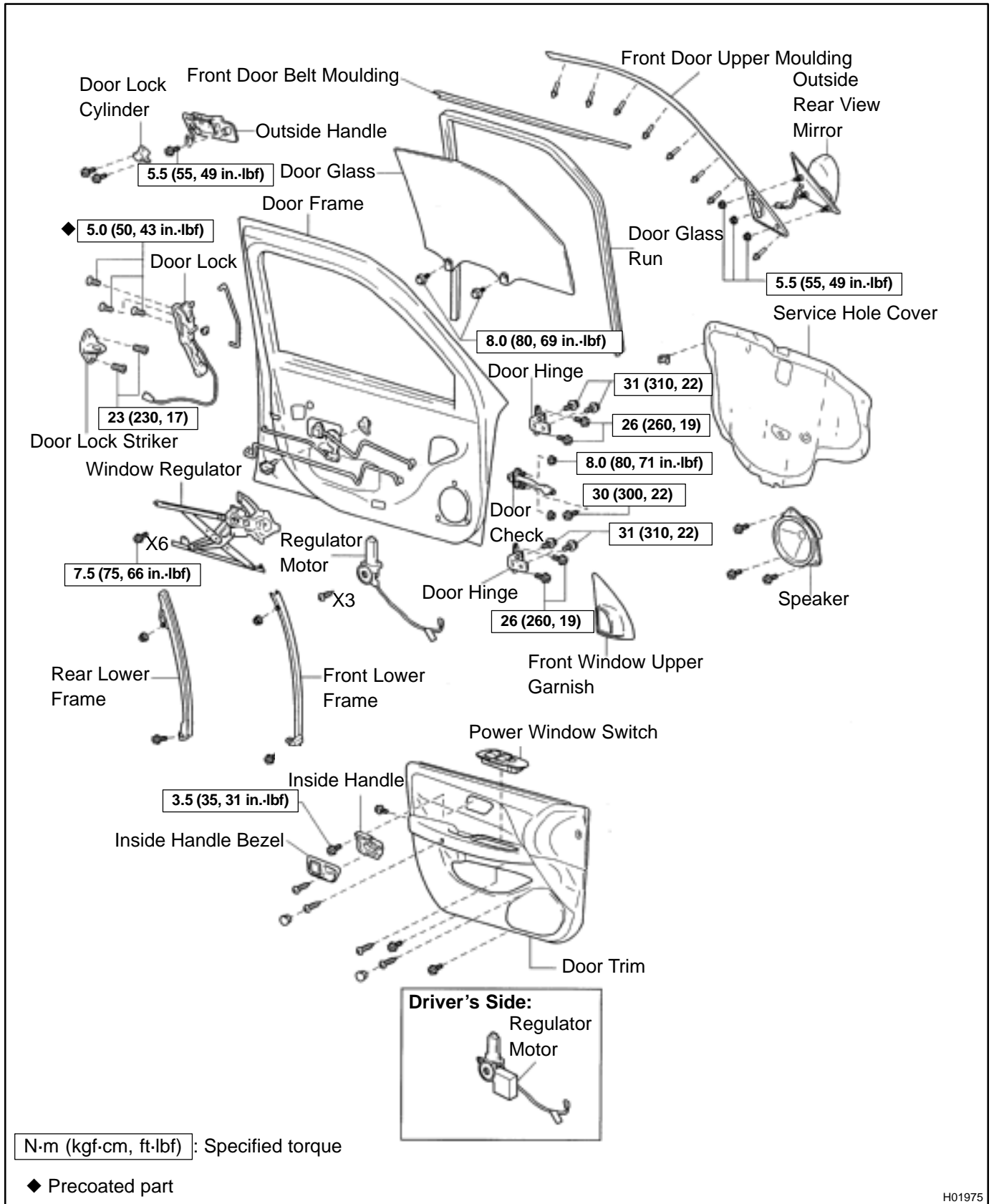
HINT:

Remove the anti-theft bolt cover, then remove the lower hood lock bolt. You may have to remove the front bumper to access this bolt.

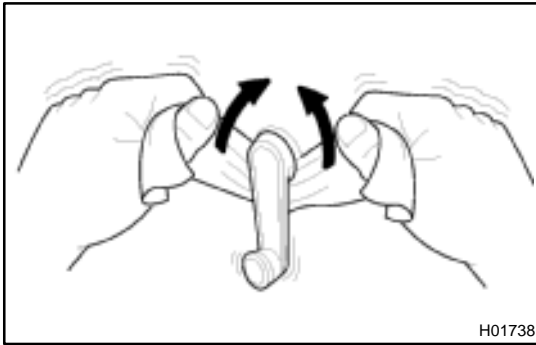
- (b) Adjust the lock by loosening the bolts.

FRONT DOOR COMPONENTS

BO0L2-01



H01975



DISASSEMBLY

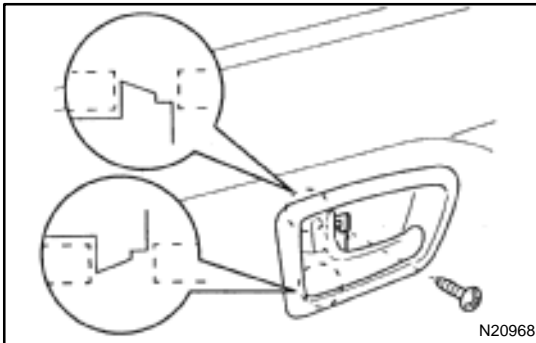
1. w/o Power Window:

REMOVE REGULATOR HANDLE

Pull off the snap ring with a shop rag and remove the regulator handle and plate.

HINT:

At the time of assembly, please refer to the following item.
With the door window fully closed, install the plate and the regulator handle with the snap ring.



2. REMOVE INSIDE HANDLE BEZEL

- (a) Using a screwdriver, pry open the screw cover and remove the screw.
(b) Using a screwdriver, pry out the bezel.

HINT:

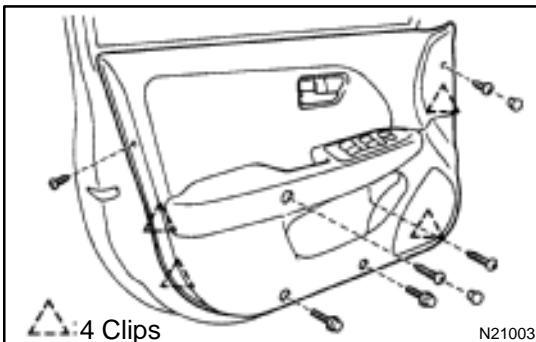
Tape the screwdriver tip before use.

- (b) Using a screwdriver, pry out the bezel.

HINT:

Tape the screwdriver tip before use.

3. REMOVE FRONT WINDOW UPPER GARNISH



4. REMOVE DOOR TRIM

- (a) Using a screwdriver, remove the screw caps.

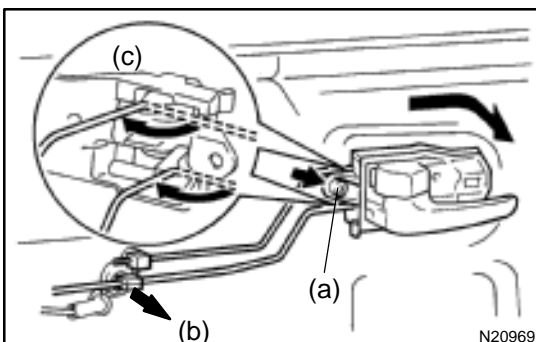
HINT:

Tape the screwdriver tip before use.

- (b) Remove the 2 clips, 2 screws and 2 bolts.
(c) Insert a screwdriver between the door and door trim to pry out.
(d) Pull the trim upward to remove it, then remove the power window switch and disconnect the harness connector.

5. REMOVE THESE PARTS:

- (a) Outside rear view mirror
Torque: 5.5 N·m (55 kgf·cm, 49 in.-lbf)
(b) Speaker

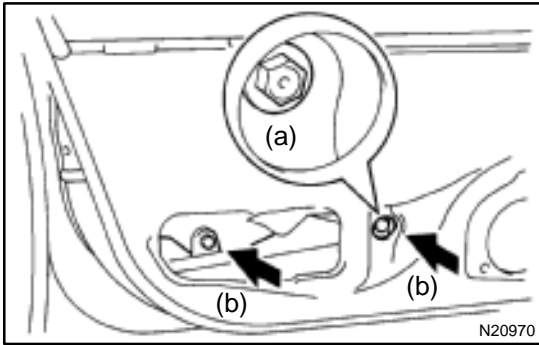


6. REMOVE DOOR INSIDE HANDLE

- (a) Remove the screw and pull the handle forward.
Torque: 3.5 N·m (35 kgf·cm, 31 in.-lbf)
(b) Remove the link from the clamp.
(c) Remove the inside handle from the ends of the 2 links.

7. REMOVE SERVICE HOLE COVER

Remove the grommet, then remove the service hole cover.



8. REMOVE DOOR GLASS

(a) Open the door glass until the bolt appears in the service hole.

(b) Remove the 2 bolts and the door glass.

HINT:

Pull the glass upward.

Torque: 8.0 N·m (80 kgf·cm, 71 in.-lbf)

9. REMOVE GLASS RUN

HINT:

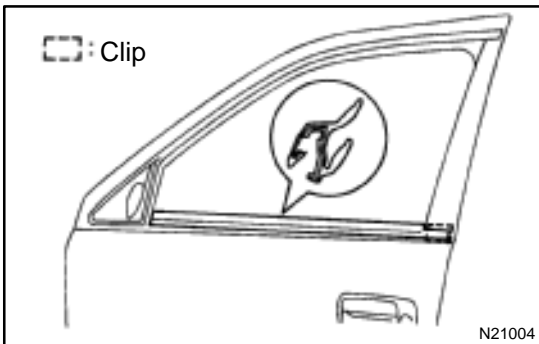
Pull the glass run upward.

10. REMOVE FRONT AND REAR SIDE FRAMES

Remove the 2 bolts, 2 nuts and the side frames.

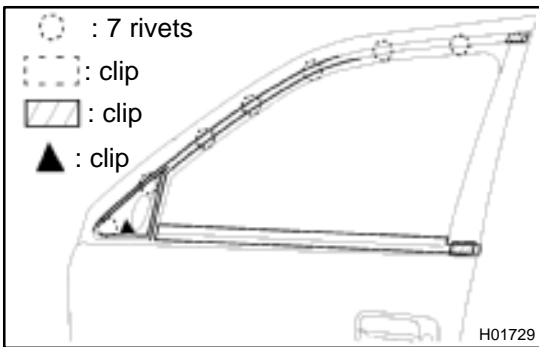
HINT:

Remove the side frames through the service hole.



11. REMOVE FRONT DOOR BELT MOULDING

Pry the rearward end of the front door belt moulding from the door and remove the moulding.



12. REMOVE FRONT DOOR UPPER MOULDING

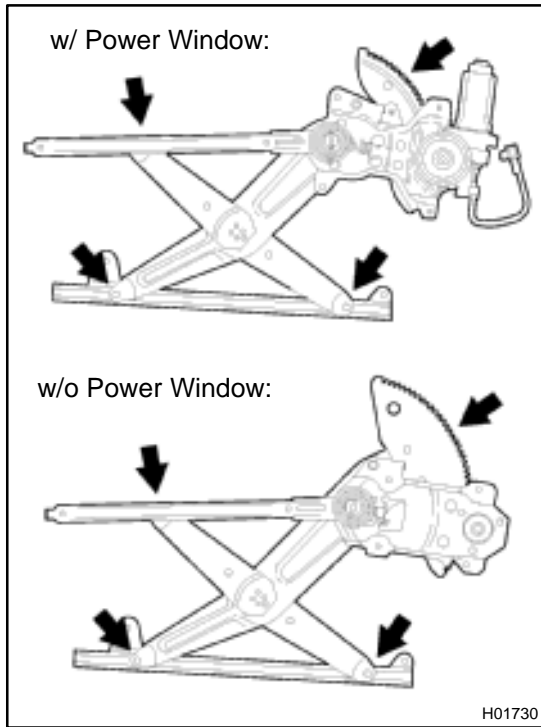
(a) Using a drill, cut the flange portion of the 7 rivets.

HINT:

At the time of assembly, please refer to the following item.

Use 7 new rivets.

(b) Pry out the 2 clips and remove the moulding.



13. REMOVE WINDOW REGULATOR ASSEMBLY

Remove the bolts and window regulator.

Torque: 5.5 N·m (55 kgf·cm, 49 in.-lbf)

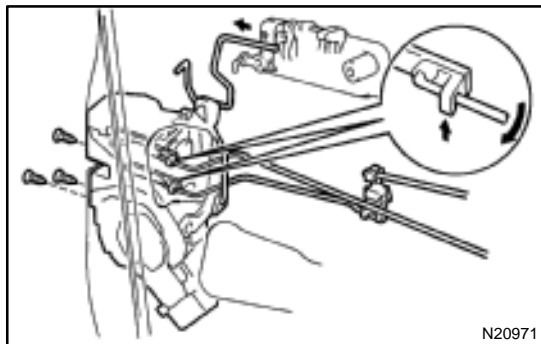
HINT:

At the time of reassembly, please refer to the following item.
Apply MP grease to the window regulator rollers.

14. w/ Power Window:

REMOVE MOTOR FROM WINDOW REGULATOR

Remove the 3 screws and motor.



15. REMOVE DOOR LOCK

- (a) Remove the 2 clips.
- (b) Disconnect the 2 links from the door lock and remove the links.
- (c) Disconnect the 2 links from the outside handle and the lock cylinder.
- (d) Remove the 3 screws and door lock.

HINT:

At the time of reassembly, please refer to the following item.
Apply adhesive to 3 screws.

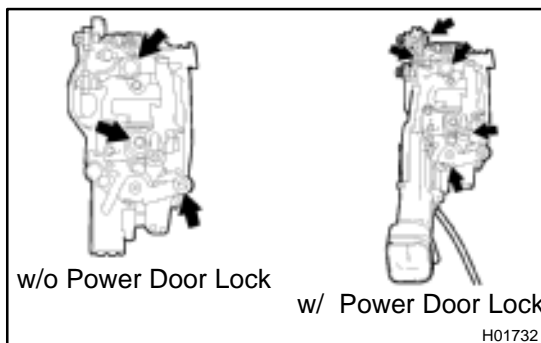
Part No. 08833-00070, THREE BOND 1324 or equivalent

Torque: 5.0 N·m (50 kgf·cm, 43 in.-lbf)

- (e) w/ Power Door Lock:

Disconnect the connector.

- (f) Remove the door lock through the service hole.

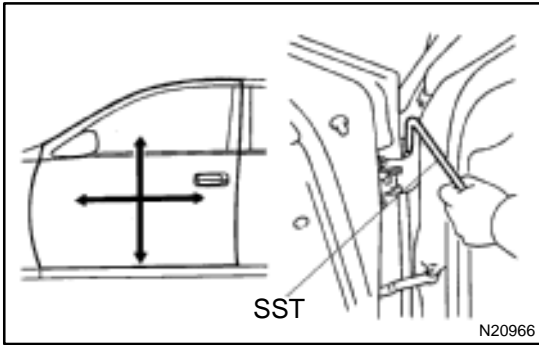


HINT:

At the time of reassembly, please refer to the following item.
Apply MP grease to the sliding surface of the door lock.

16. REMOVE OUTSIDE HANDLE

Torque: 7.0 N·m (70 kgf·cm, 61 in.-lbf)



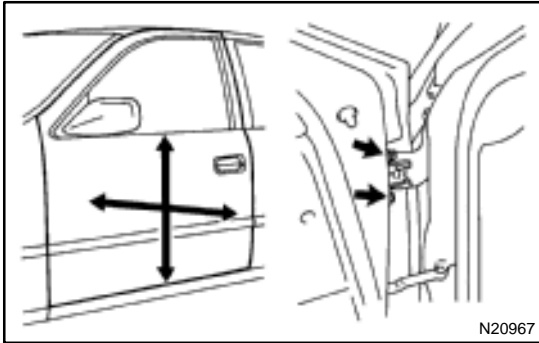
ADJUSTMENT

1. ADJUST DOOR IN FORWARD/REARWARD AND VERTICAL DIRECTIONS

Using SST, adjust the door by loosening the body side hinge bolts.

SST 09812-00020

Torque: 31 N·m (310 kgf·cm, 22 ft·lbf)



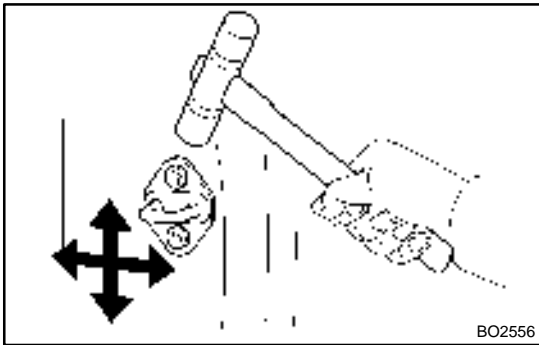
2. ADJUST DOOR IN LEFT/RIGHT AND VERTICAL DIRECTIONS

To adjust, loosen the door side hinge.

HINT:

Substitute the bolt and washer for the centering bolt.

Torque: 26 N·m (260 kgf·cm, 19 ft·lbf)



3. ADJUST DOOR LOCK STRIKER

- (a) Check that door fits and the door lock linkages are adjusted correctly.
- (b) Loosen the striker mounting screws to adjust.
- (c) Using a plastic hammer, tap the striker to adjust it.

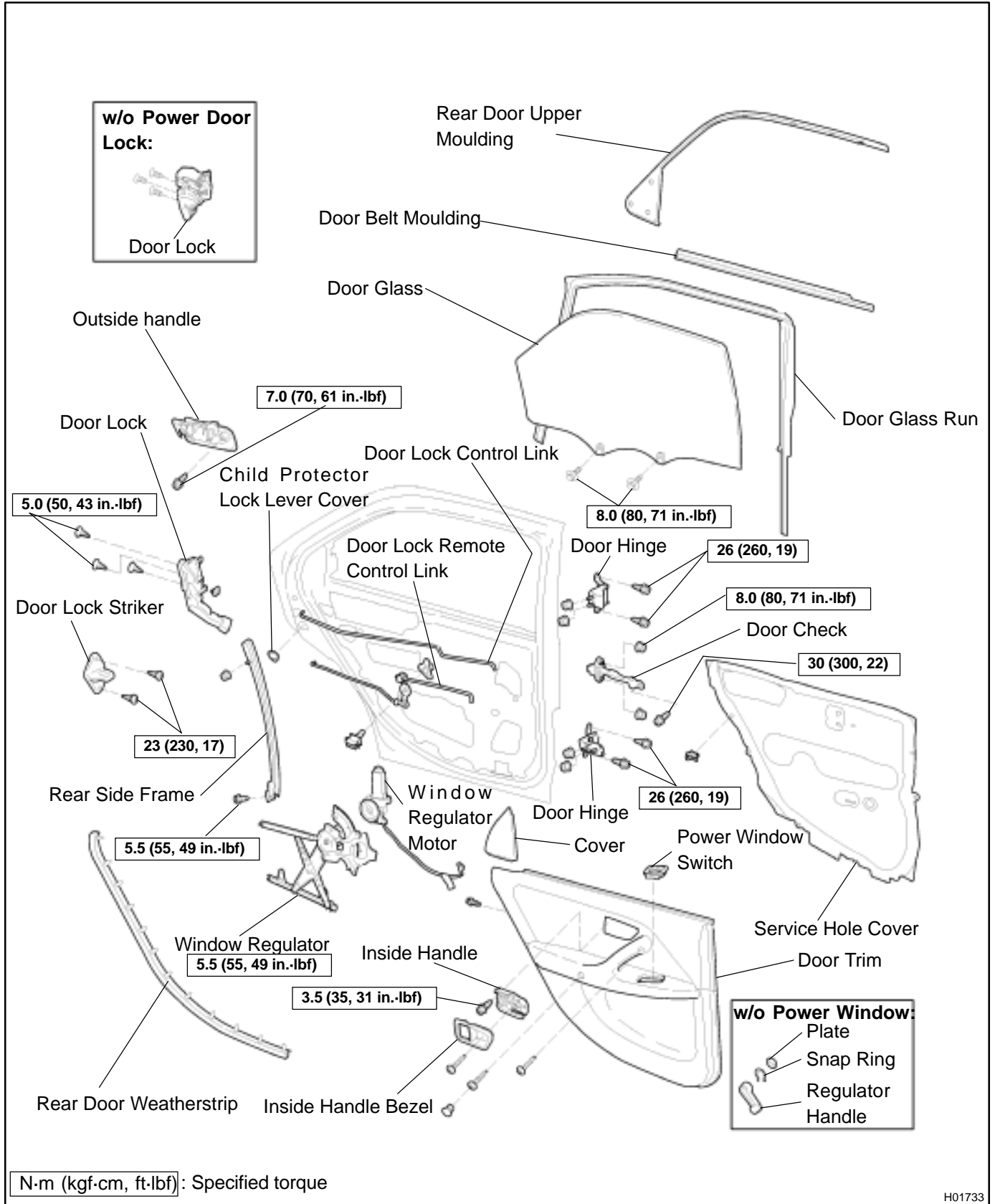
Torque: 23 N·m (230 kgf·cm, 17 ft·lbf)

REASSEMBLY

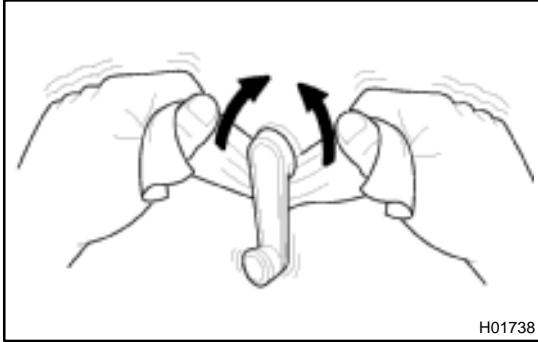
Reassembly is in the reverse order of disassembly (See page [BO-12](#)).

REAR DOOR COMPONENTS

BO0L6-01



H01733



H01738

DISASSEMBLY

1. w/o Power Window:

REMOVE REGULATOR HANDLE

Pull off the snap ring with a shop rag and remove the regulator handle and plate.

HINT:

At the time of reassembly, please refer to the following item. With the door window fully closed, install the plate and the regulator handle with the snap ring.

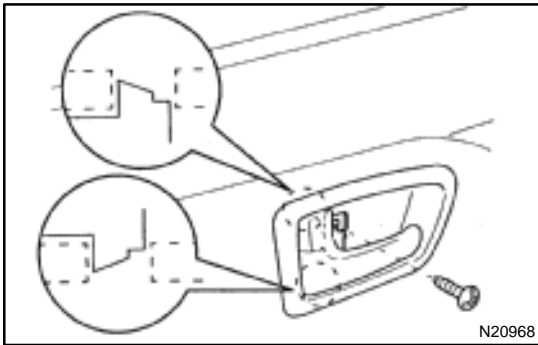
2. w/ Power Window:

REMOVE POWER WINDOW SWITCH

Using a screwdriver, pry out the switch, then disconnect the connector.

HINT:

Tape the screwdriver tip before use.



N20968

3. REMOVE INSIDE HANDLE BEZEL

(a) Using a screwdriver, pry open the screw cover and remove the screw.

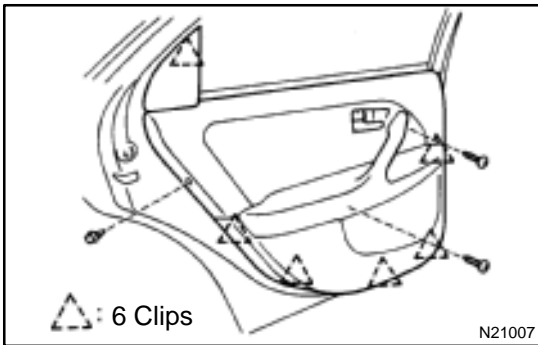
HINT:

Tape the screwdriver tip before use.

(b) Using a screwdriver, pry out the bezel.

HINT:

Tape the screwdriver tip before using. Use the screwdriver to release the bezel from the top and bottom protrusions on the handle assembly as shown.



N21007

4. REMOVE DOOR TRIM

HINT:

Tape a screwdriver tip before use.

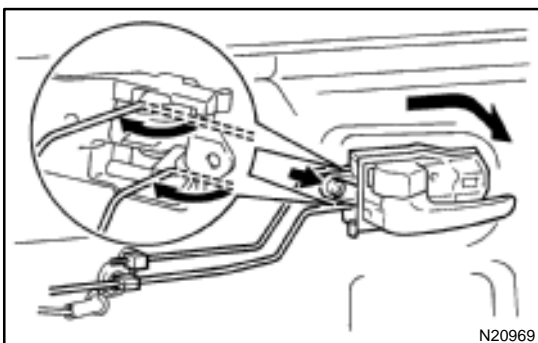
(a) Using the screwdriver, remove the 2 screw caps.

(b) Remove the inside cover.

(c) Remove the 2 screws and clip.

(d) Insert the screwdriver between the door and door trim to pry out.

(e) Pull the trim upward to remove it, then disconnect the connector.



N20969

5. REMOVE DOOR INSIDE HANDLE

(a) Remove the screw and pull the handle forward.

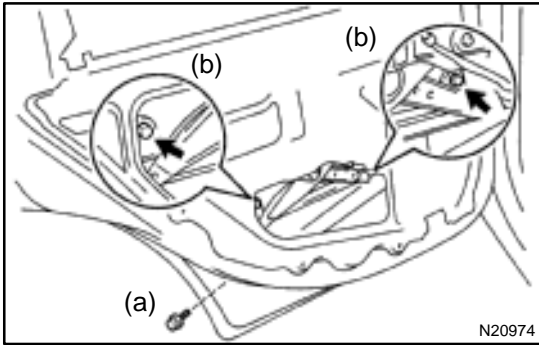
Torque: 3.5 N·m (35 kgf·cm, 31 in.-lbf)

(b) Remove the link from the clamp.

(c) Remove the inside handle from the ends of the 2 links.

6. REMOVE SERVICE HOLE COVER

Remove the grommet, then remove the service hole cover.



7. REMOVE DOOR GLASS AND RUN

(a) Remove the bolt and nut holding the rear side frame to the door.

(b) Remove the 2 bolts holding the door glass to the window regulator.

Torque: 8.0 N·m (80 kgf·cm, 71 in.-lbf)

(c) Remove the rear side frame and the rear section of the door glass run.

Torque: 5.5 N·m (55 kgf·cm, 49 in.-lbf)

HINT:

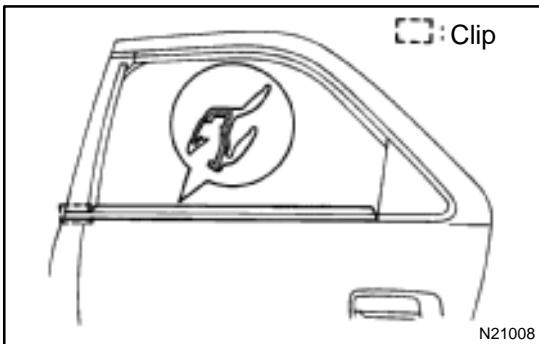
Pull the door glass run upward.

(d) Remove the door glass.

(e) Remove the entire door glass run.

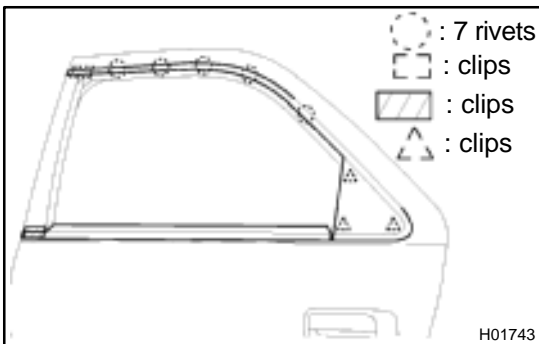
HINT:

Pull the door glass run upward.



8. REMOVE REAR DOOR BELT MOULDING

Pry the rearward end of the rear door belt moulding from the door and remove the moulding.



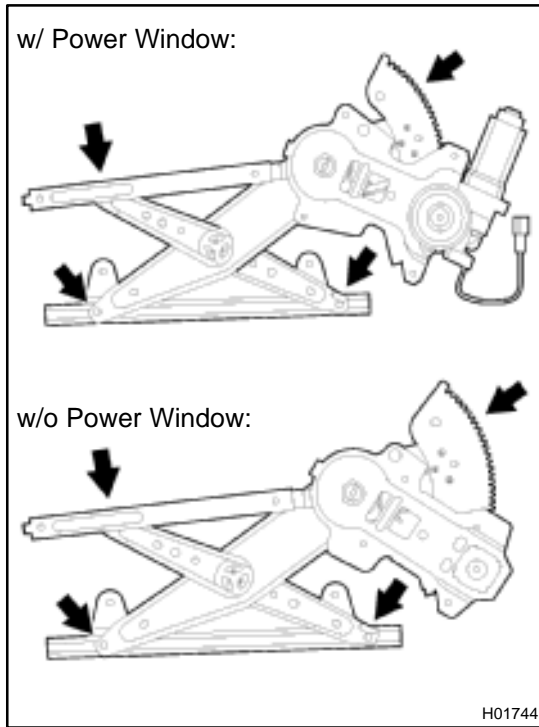
9. REMOVE REAR DOOR UPPER MOULDING

(a) Using a drill, cut the flange portion of the 5 rivets.

HINT:

Use 5 new rivets.

(b) Insert a screwdriver between the door and the rear door upper moulding and pry it off.



10. REMOVE WINDOW REGULATOR ASSEMBLY

Remove the bolts and window regulator assembly.

Torque: 5.5 N-m (55 kgf-cm, 49 in.-lbf)

HINT:

At the time of reassembly, please refer to the following item.
Apply MP grease to the window regulator rollers.

11. w/ Power Window:

REMOVE MOTOR FROM WINDOW REGULATOR

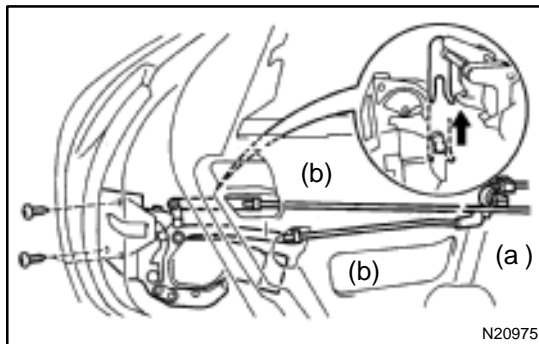
Remove the 3 screws and motor.

12. REMOVE REAR DOOR LOCK CHILD PROTECTION COVER

Using a screwdriver, pry out the cover.

HINT:

Tape the screwdriver tip before use.



13. REMOVE DOOR LOCK

(a) Remove the clip.

(b) Disconnect the 2 links from the door lock and remove the 2 links.

(c) Disconnect the link from the outside handle.

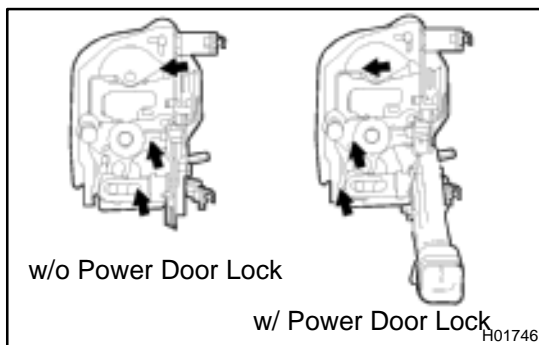
(d) Remove the 3 screws.

Torque: 5.0 N-m (50 kgf-cm, 43 in.-lbf)

HINT:

At the time of reassembly, please refer to the following item.
Apply adhesive to the 3 screws.

Part No. 08833-00070, THREE BOND 1324 or equivalent



(e) w/ Power Door Lock:

Disconnect the connector.

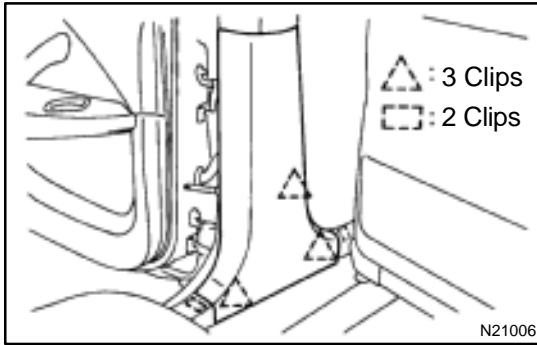
(f) Remove the door lock through the service hole.

HINT:

At the time of reassembly, please refer to the following item.
Apply MP grease to the sliding surface of the door lock.

14. REMOVE OUTSIDE HANDLE

Torque: 7.0 N-m (70 kgf-cm, 61 in.-lbf)



ADJUSTMENT

1. ADJUST DOOR IN FORWARD/REARWARD AND VERTICAL DIRECTION

- Remove the front part of the rear seat side garnish.
- Remove the rear part of the front door inside scuff plate.
- Remove the center pillar lower garnish.

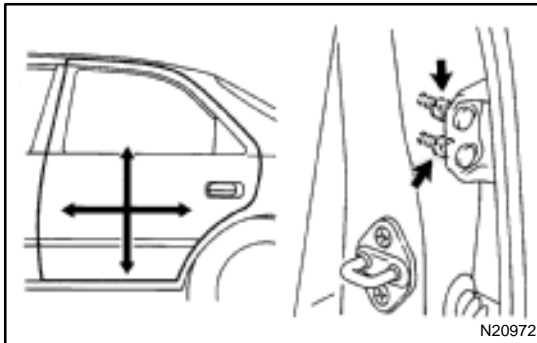
HINT:

Pull both sides of the top and bottom part of the garnish outward, then pull out to remove the garnish.

- Loosen the body side hinge nuts to adjust.

Torque: 26 N·m (260 kgf·cm, 19 ft·lbf)

- Install center pillar lower garnish.
- Install front door inside scuff plate.
- Install rear seat side garnish.



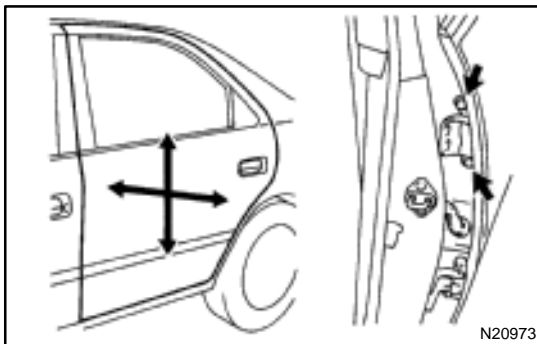
2. ADJUST DOOR IN LEFT/RIGHT AND VERTICAL DIRECTIONS

Loosen the door side hinge bolts to adjust.

HINT:

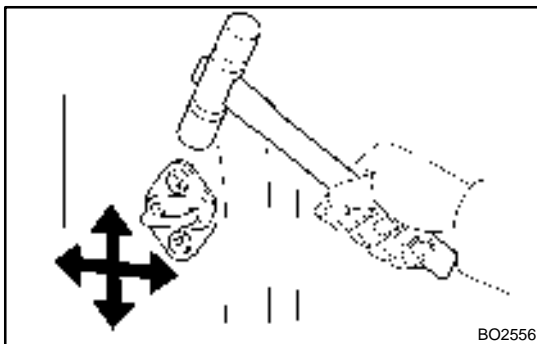
Substitute a bolt with washer for the centering bolt.

Torque: 26 N·m (260 kgf·cm, 19 ft·lbf)



3. ADJUST DOOR LOCK STRIKER

- Check that the door fit and door lock linkages are adjusted correctly.
 - Loosen the striker mounting screws to adjust.
- Torque: 23 N·m (230 kgf·cm, 17 ft·lbf)**
- Using a plastic hammer, tap the striker to adjust it.

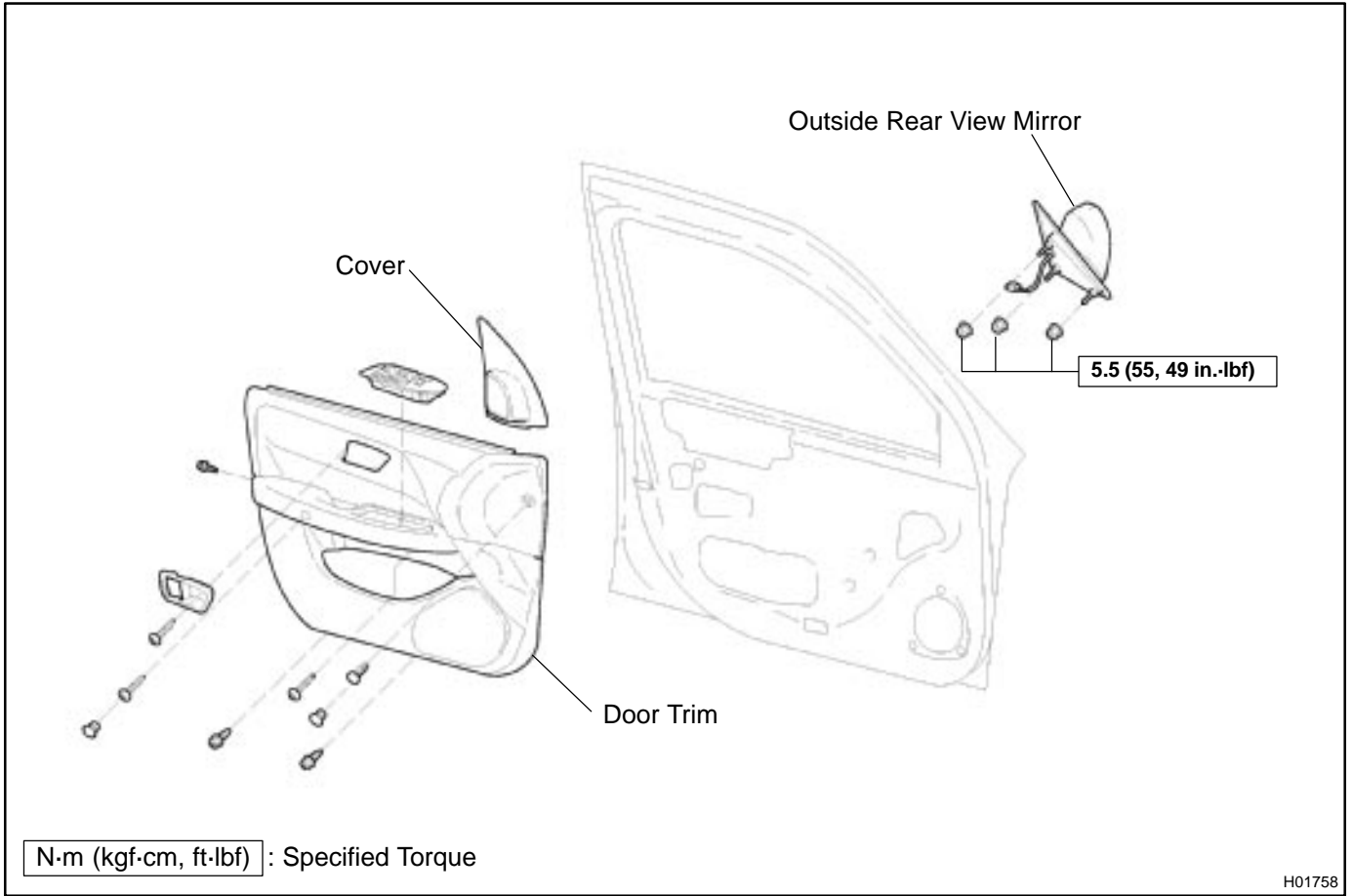


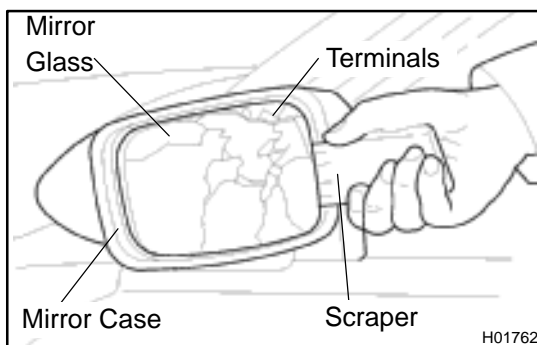
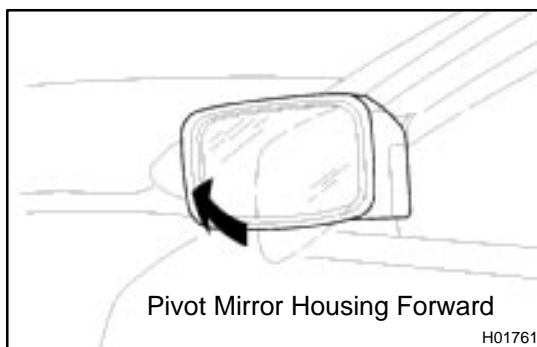
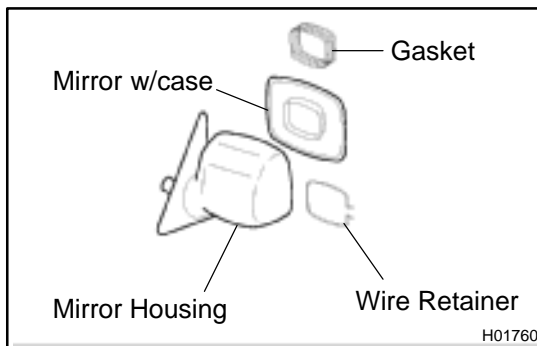
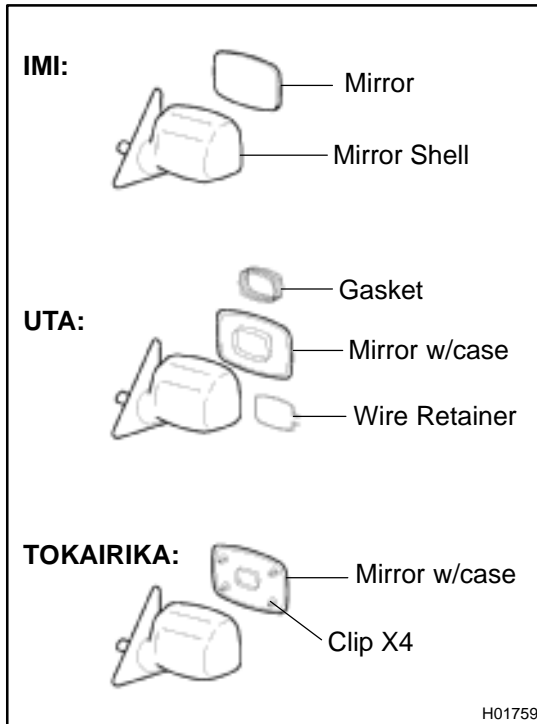
REASSEMBLY

Reassembly is in the reverse order of disassembly (See page [BO-18](#)).

OUTSIDE REAR VIEW MIRROR COMPONENTS

BO0LA-01





DISASSEMBLY

1. IDENTIFY OUTSIDE REAR VIEW MIRROR

- w/ Power Rear View Mirror:
UTA:
The mirror moves smoothly when pressing the end of the mirror inward.
- w/ Power Rear View Mirror:
IMI:
The mirror stutters when pressing the end of the mirror inward.
- w/ Power Rear View Mirror:
TOKAIRIKA:
Equipped only on vehicles manufactured by TMC.
- w/o Power Rear View Mirror:
Mirrors manufactured by IMI

2. UTA:

DISASSEMBLE OUTSIDE REAR VIEW MIRROR

- Disconnect the battery.
- Press the inboard end of the mirror inward to access the rear of the mirror w/case assembly.
- Unlatch both ends of the wire retainer, then remove the mirror parts from the mirror housing.

NOTICE:

Be careful not to damage the wires on heated mirrors. Disconnect the wires from the back side of the heater.

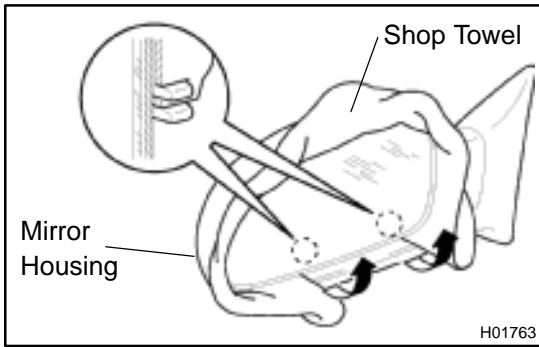
3. IMI:

DISASSEMBLE OUTSIDE REAR VIEW MIRROR

- w/Heated Mirrors:
Disconnect the battery.
- Protect the door surface.
- Pivot the mirror housing to the forward position.
- Insert a scraper between the mirror and the case to remove the mirror.

NOTICE:

Be careful not to damage the wires on heated mirrors. Disconnect the wires from the back side of the heater.

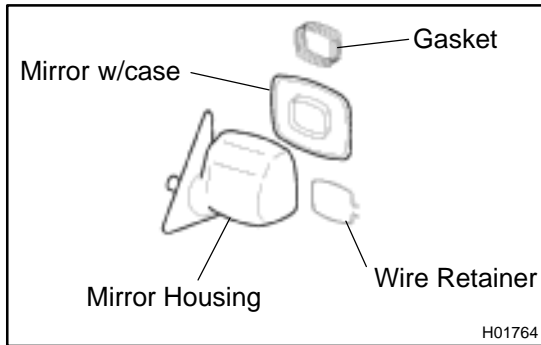


**4. TOKAIRIKA:
DISASSEMBLE OUTSIDE REAR VIEW MIRROR**

- (a) Disconnect the battery.
- (b) Slide a shop towel between the mirror and the mirror housing as shown.
- (c) Pull the ends of the shop towel upward to disconnect the mirror from the housing.
- (d) Pull the mirror upward and disconnect it.

NOTICE:

Be careful not to damage the wires on heated mirrors. Disconnect the wires from the back side of the heater.



REASSEMBLY

1. UTA:

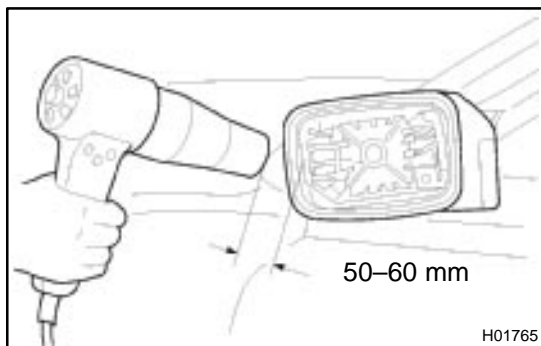
ASSEMBLE OUTSIDE REAR VIEW MIRROR

- (a) w/Heated Mirrors:
Connect the heater wires.
- (b) Install the wire retainer onto the mirror w/case assembly, then press the mirror firmly into place to engage the 6 lugs of the wire retainer.

NOTICE:

Pull the mirror edges to confirm the wire retainer lugs completely engage with the mirror housing.

- (c) Reconnect the battery, then operate the mirror to its full stop position.



2. IMI:

ASSEMBLE OUTSIDE REAR VIEW MIRROR

- (a) From a distance of 50-60 mm, use a heat gun or hair dryer to heat the edge of the mirror case until the mirror case becomes soft.

CAUTION:

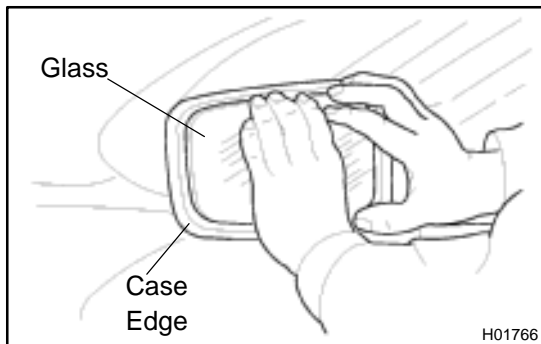
Use extreme caution when using a heat gun or hair dryer. Holding it too close can melt the mirror case.

- (b) w/ Heated Mirrors:
Connect the heater wires.
- (c) Before the the case cools down, position and snap the new mirror glass into the case.

NOTICE:

Verify the glass case edge completely surrounds the mirror glass.

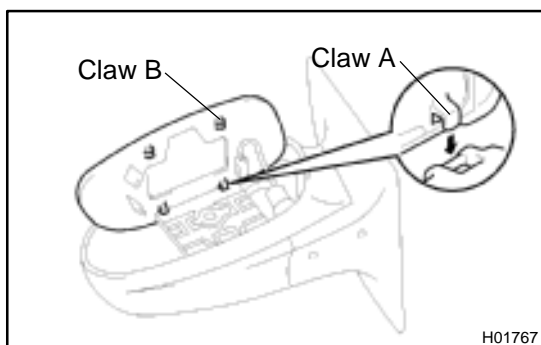
- (d) Allow the case to cool down before moving the mirror back to its operating position.
- (e) Recheck the fit between the glass and the case.
- (f) Reconnect the battery, then operate the mirror to its full stop position.



3. TOKAIRIKA:

ASSEMBLE OUTSIDE REAR VIEW MIRROR

- (a) w/ Heated Mirrors:
Connect the heater wires.
- (b) Connect the claws (A) and install the mirror into the mirror housing.
- (c) Push the mirror inward to connect the claws (B) onto the mirror housing.
- (d) Reconnect the battery, then operate the mirror to its full stop position.



REMOVAL

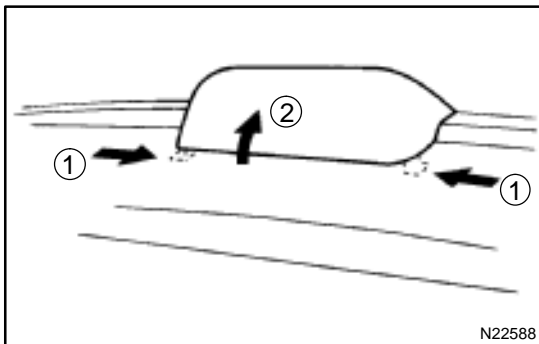
1. REMOVE LUGGAGE COMPARTMENT DOOR TRIM
2. REMOVE LUGGAGE COMPARTMENT DOOR

- (a) Disconnect the connector.
- (b) Using a clip remover, disconnect the clamps.
- (c) Remove the 4 bolts and door.

Torque: 8.0 N·m (80 kgf·cm, 71 in.-lbf)

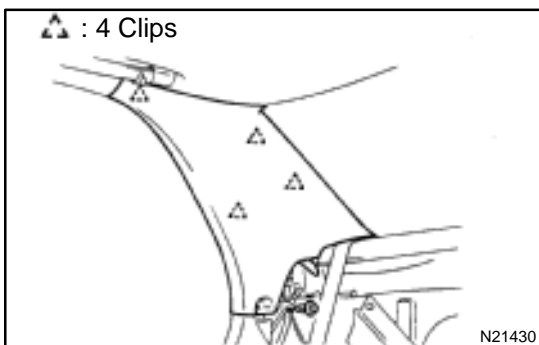
3. REMOVE THESE PARTS:

- (a) Luggage compartment floor mat
- (b) LH and RH rear floor finish side plates
- (c) Inner cover trims
- (d) Rear seat
- (e) Room partition trims



4. REMOVE HIGH-MOUNTED STOP LIGHT

- (a) Push on the both side of the cover to release the claws by your hand and remove the cover as shown in the illustration.
- (b) Remove the 2 bolts and stop light, then disconnect the connector.



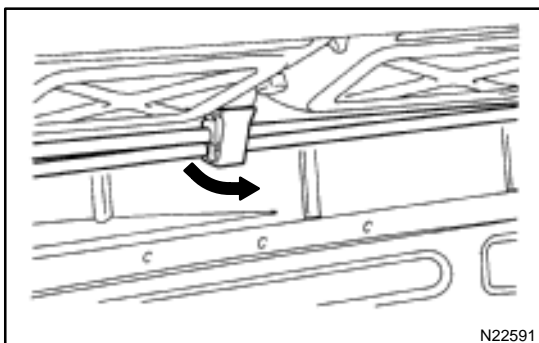
5. REMOVE ROOF SIDE INNER GARNISH

- (a) Remove the clip.
- (b) Using a screwdriver, pry loose and remove the garnish.

HINT:

Tape the screwdriver tip before use.

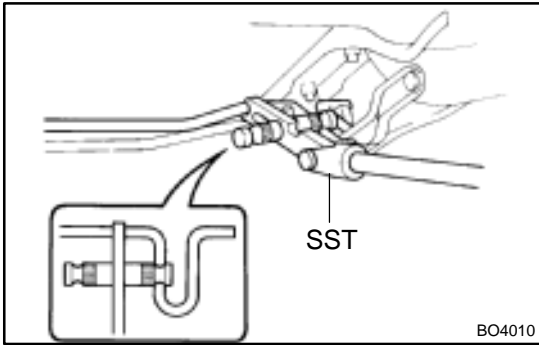
6. REMOVE PACKAGE TRAY TRIM



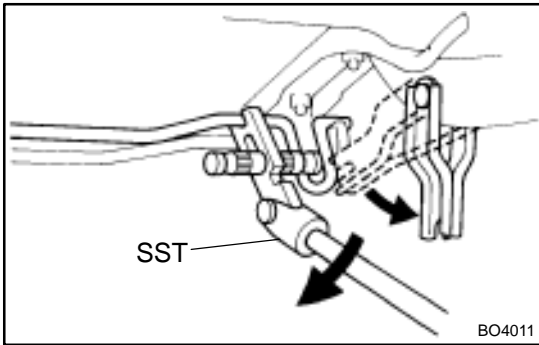
7. REMOVE TORSION BAR

- (a) Remove the torsion bar from the center bracket.

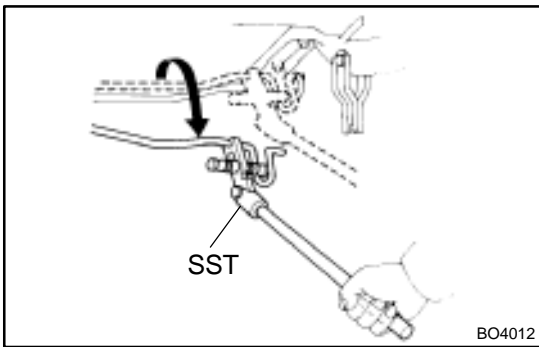
BODY - LUGGAGE COMPARTMENT DOOR AND HINGE



- (b) Install SST to the torsion bar on the hinge side.
SST 09804-24010



- (c) Push down on SST, and pull the luggage compartment door hinge from the torsion bar.



- (d) Slowly lift SST, and remove the torsion bar from the torsion bar bracket with SST.
- (e) Remove the torsion bar.
- (f) Repeat for the other side.

DISASSEMBLY

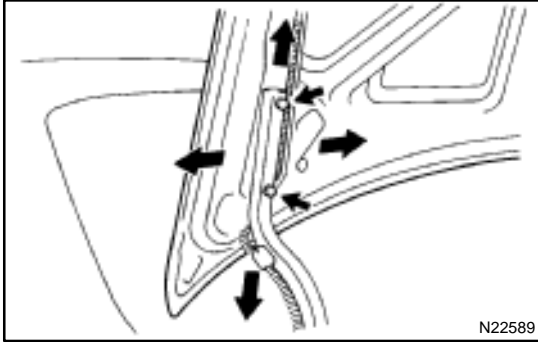
1. REMOVE DOOR LOCK

- (a) Disconnect the control link.
- (b) Remove the 2 bolts and lock.

Torque: 5.5 N·m (56 kgf·cm, 49 in.-lbf)

2. REMOVE REAR COMBINATION LIGHT

- (a) Disconnect the connector.
- (b) Remove the 10 nuts and rear combination lights.



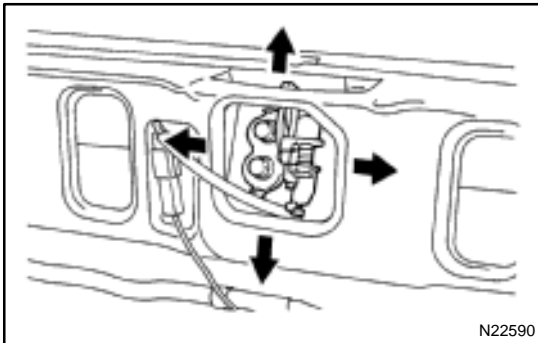
ADJUSTMENT

1. ADJUST LUGGAGE COMPARTMENT DOOR

- (a) Remove the 11 clips and luggage compartment door trim.
- (b) For forward/rearward and left/right adjustments loosen the bolts.

Torque: 8.0 N·m (82 kgf·cm, 71 in.-lbf)

- (c) For vertical adjustment of the front end of the door, increase or decrease the number of washers between the hinge and the door.



2. ADJUST DOOR LOCK STRIKER

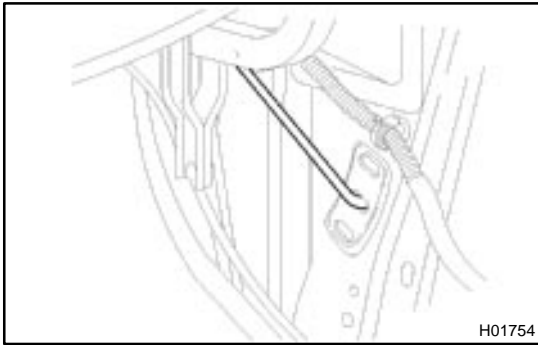
- (a) Remove the LH and RH rear floor finish side plates.
- (b) Remove the rear floor finish plate.
- (c) Loosen the 2 lock striker set bolts.

Torque: 5.5 N·m (56 kgf·cm, 49 in.-lbf)

- (d) Using a hammer and a brass bar, tap the striker to adjust it.

REASSEMBLY

Reassembly is in the reverse order of disassembly (See page [BO-30](#)).



INSTALLATION

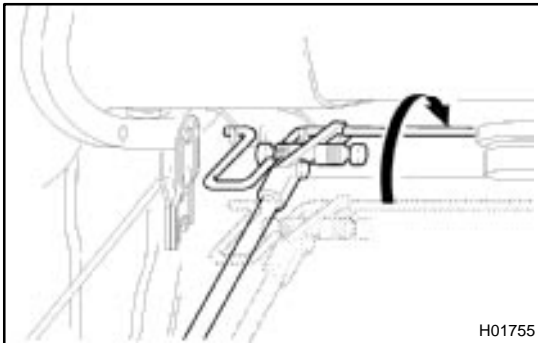
1. INSTALL TORSION BAR

- (a) Insert the torsion bar into the bracket.

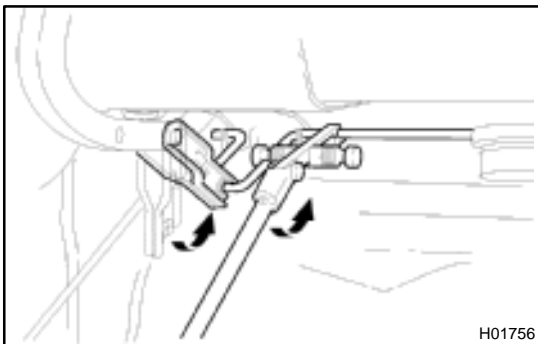
HINT:

The center bracket opening is the nominal position of the torsion bar.

If needed, move the torsion bar to the upper or lower hole to provide the correct luggage door lift.

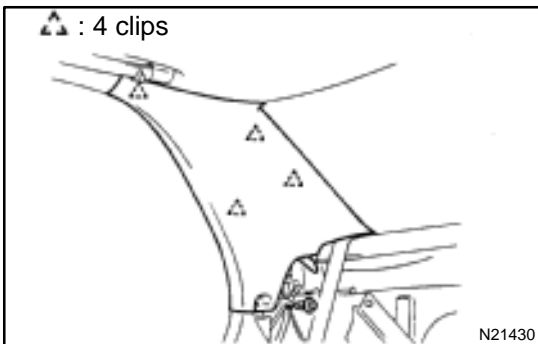


- (b) Install the SST onto the torsion bar of the hinge side.
SST 09804-24010
- (c) Slowly lift the torsion bar with the SST and place it in the torsion bar bracket.



- (d) Slowly push the SST down and install the torsion bar to the hinge.
- (e) Slowly lift the SST and install the torsion bar.
- (f) Install the torsion bar to the center bracket.
- (g) Repeat for the other side.

2. INSTALL PACKAGE TRAY TRIM



3. INSTALL ROOF SIDE INNER GARNISH

4. INSTALL HIGH MOUNTED STOP LIGHT

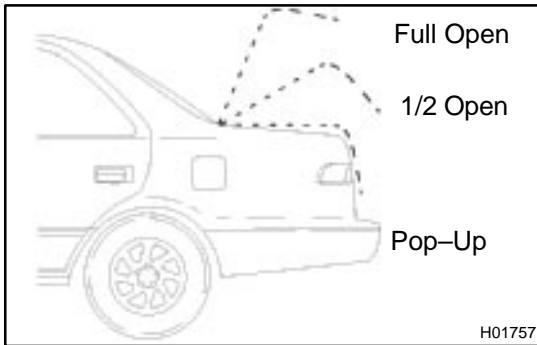
5. INSTALL THESE PARTS:

- (a) Room partition trims
- (b) Rear seat
- (c) Inner cover trims
- (d) LH and RH rear floor finish side plates
- (e) Luggage compartment floor mat

6. INSTALL LUGGAGE COMPARTMENT DOOR

- (a) Install the door with 4 bolts.
- (b) Install clamps.
- (c) Connect the connector.

7. INSTALL LUGGAGE COMPARTMENT DOOR TRIM

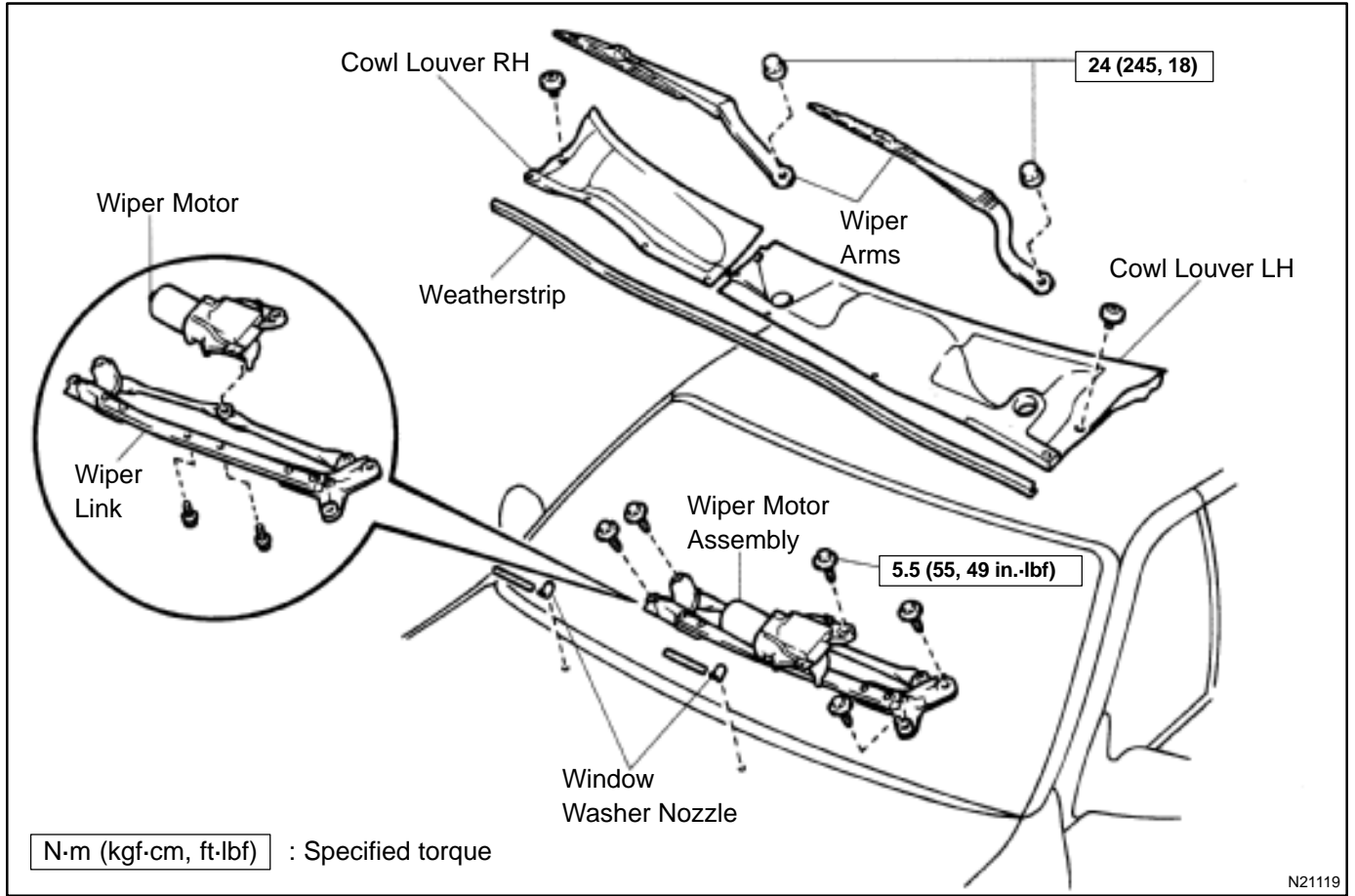
**8. CHECK LUGGAGE DOOR LIFT**

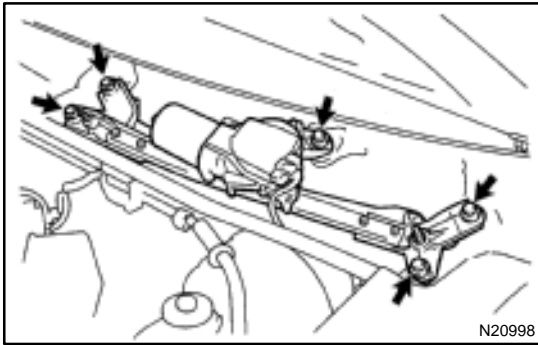
- ◆ Pop-up distance: 35 – 100 mm
- ◆ Pop-up to 1/2 open: Door should remain in any position.
- ◆ Past 1/2 open: Door should open fully by itself.
- ◆ Full open position: Door should not easily fall closed

If adjustment is necessary, refer to step 2 –(a) above.

FRONT WIPER AND WASHER COMPONENTS

BOOK-01





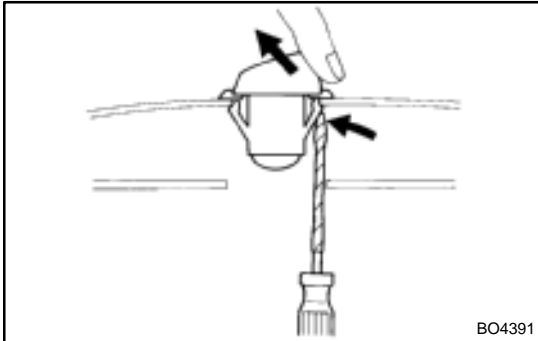
REMOVAL

1. REMOVE WIPER ARMS
2. REMOVE WEATHERSTRIP AND COWL LOUVERS
3. REMOVE WIPER MOTOR ASSEMBLY

- (a) Disconnect the connector.
- (b) Remove the 5 bolts and wiper motor assembly.

4. REMOVE WIPER MOTOR

Remove the 2 bolts, then separate the motor crank arm from the wiper links at the ball and socket joint.

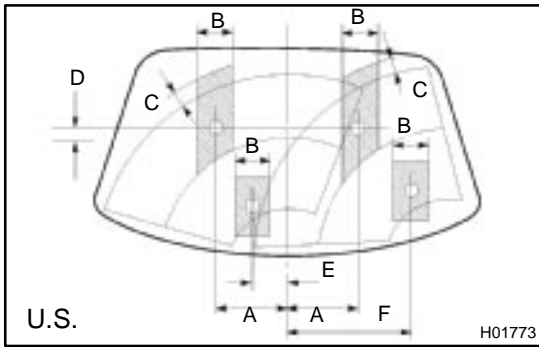


5. REMOVE WINDOW WASHER NOZZLE

- (a) Remove the hoses from the nozzles.
- (b) Using a screwdriver, remove the nozzle.

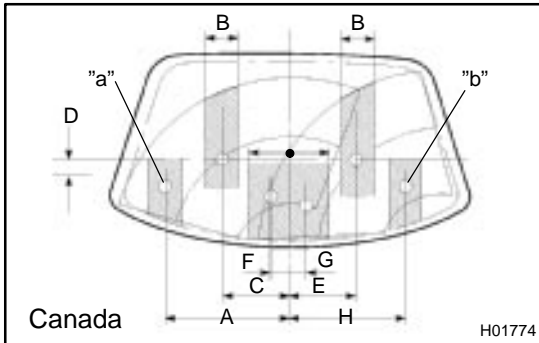
HINT:

Tape the screwdriver tip before use.



U.S.

H01773



Canada

H01774

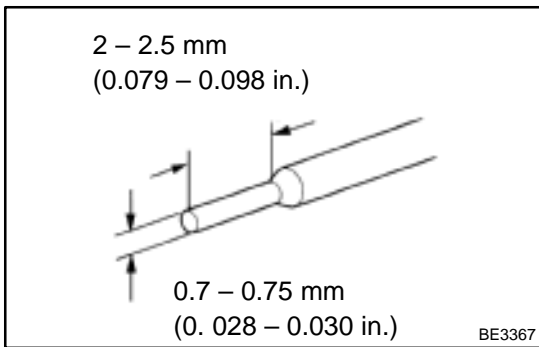
ADJUSTMENT

1. INSPECT WASHER NOZZLE

- (a) While operating the washer, check that the washer fluid hits the windshield and the upsurge area within the shaded areas.

	U.S. mm (in.)	Canada mm (in.), Approx.
"A"	280 (11)	600 (23.6)
"B"	150 (5.9)	150 (5.9)
"C"	50 (2.0)	250 (9.8)
"D"	50 (2.0) Max	
"E"	180 (7.1)	360 (14)
"F"	395 (15.5)	114 (4.5)
"G"	—	90 (3.5)
"H"	—	474 (18.7)
"I"	—	350 (13.8)

- (b) Canadian models:
Adjust the nozzle so the outboard points "a" and "b" are within the wipe pattern.
- (c) Check if the lower point where the washer fluid hits the windshield is within the range of the wiping pattern (the area of the glass the wiper blades wipe).



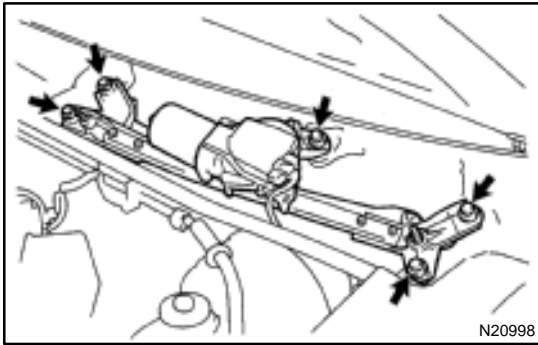
2 - 2.5 mm
(0.079 - 0.098 in.)

0.7 - 0.75 mm
(0.028 - 0.030 in.)

BE3367

2. ADJUST WASHER NOZZLE

Using a tool like that shown in the illustration, rotate the nozzle to adjust the fluid direction against the windshield.

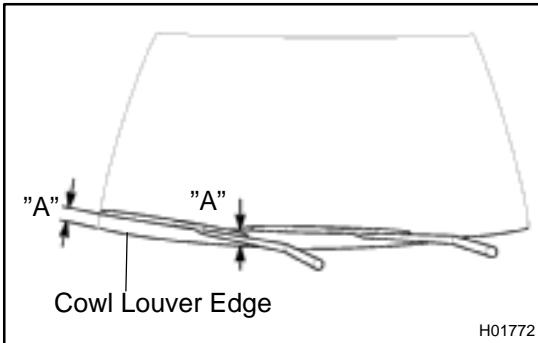


N20998

INSTALLATION

1. **INSTALL WINDOW WASHER NOZZLE**
2. **INSTALL WIPER LINK TO MOTOR**
3. **INSTALL THESE PARTS:**

- (a) Wiper motor assembly
Torque: 5.5 N·m (55 kgf·cm, 49 in.-lbf)
- (b) Cowl louvers and weatherstrip



H01772

4. **INSTALL WIPER ARMS**

- (a) Operate the wipers once and turn the wiper switch OFF, then install the wiper arms.

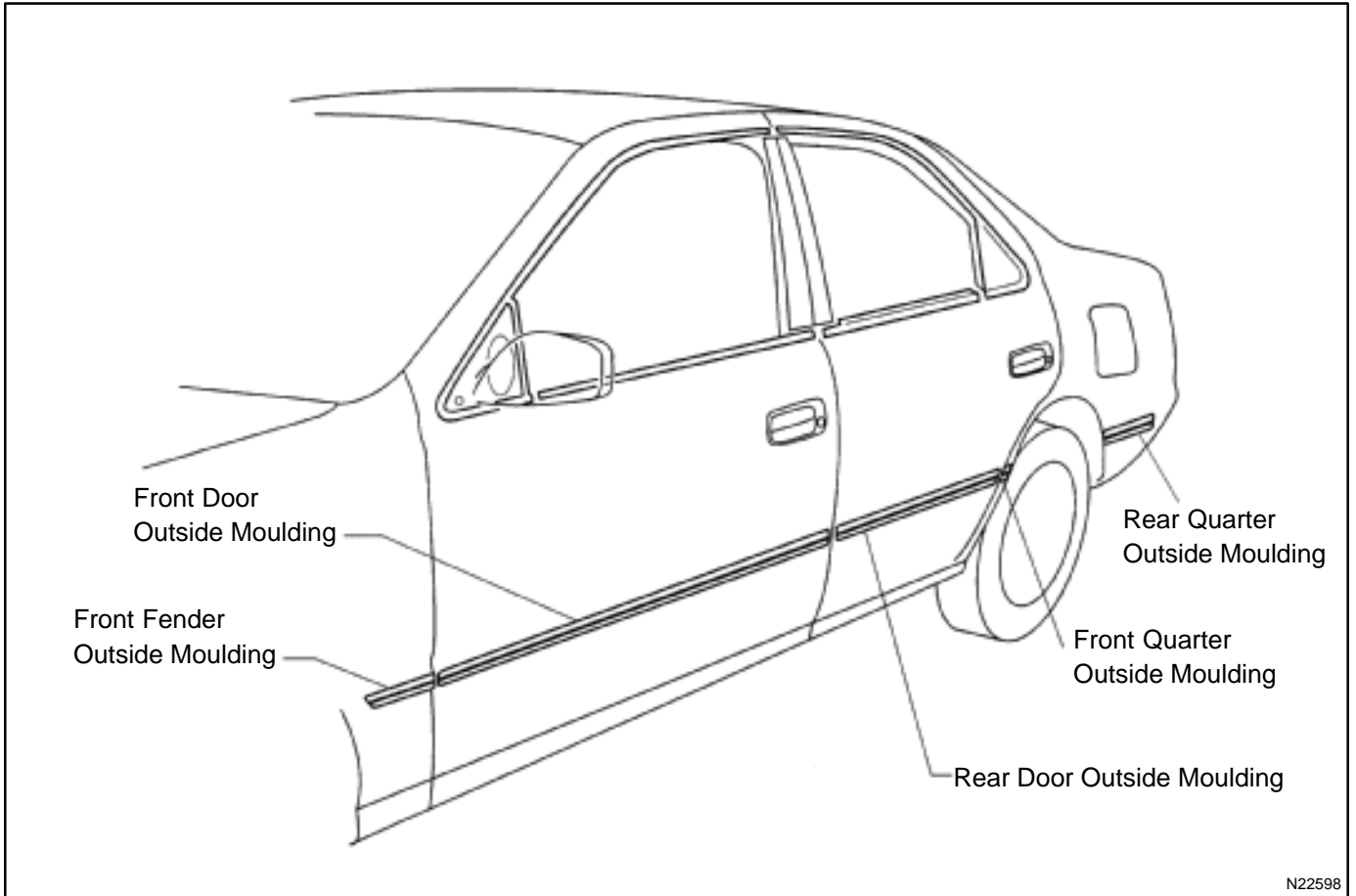
HINT:

If the driver's side wiper arm mount has a blue dot on it, use an ITT wiper arm. If there is no mark, use a ND wiper arm.

- (b) Adjust the installation position of the wiper arms as shown (blade tip to cowl louver edge).
"A" Approx. 35 mm (1.4 in.)
- (c) Tighten the wiper arm nut.
Torque: 24 N·m (245 kgf·cm, 18 ft·lbf)

BODY OUTSIDE MOULDING COMPONENTS

BO0M8-01

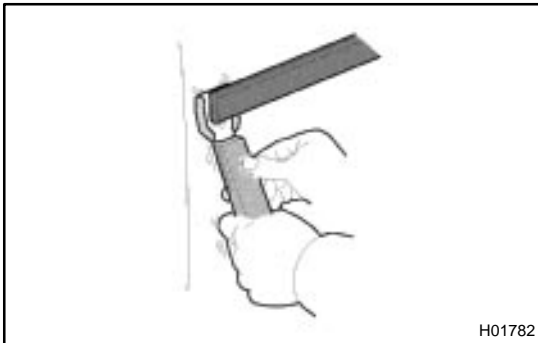


N22598

REMOVAL

CAUTION:

- ◆ Store in a cool place, avoiding direct sunlight, high temperature and dust.
- ◆ The moulding is made of polyvinyl chloride. Do not allow this material to come in contact with thinner or other solvents, open flame or boiling water.
- ◆ The storage time for the moulding and adhesive is limited to about 9 months.



H01782

1. REMOVE ENDS OF MOULDING

Using a scraper, pry the moulding loose about 30 mm (1.18 in.) from each end.

HINT:

Tape the scraper tip before using.



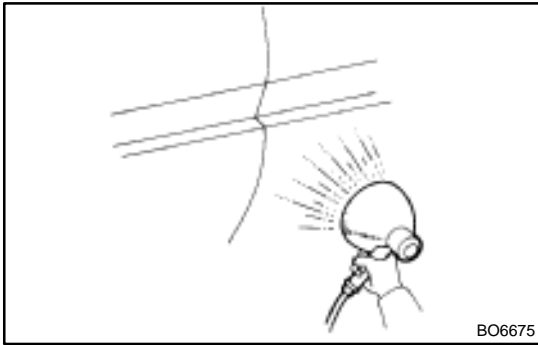
H01783

2. REMOVE MOULDING AND ADHESIVE

- (a) Pull off the moulding by cutting the adhesive with a knife.
- (b) Scrape off adhesive from the body with sandpaper cutter.

NOTICE:

- ◆ Remember that 30 – 80 mm (1.18 – 3.15 in.) of the ends of the moulding are glued tightly with a strong adhesive.
- ◆ Do not reuse moulding.



INSTALLATION

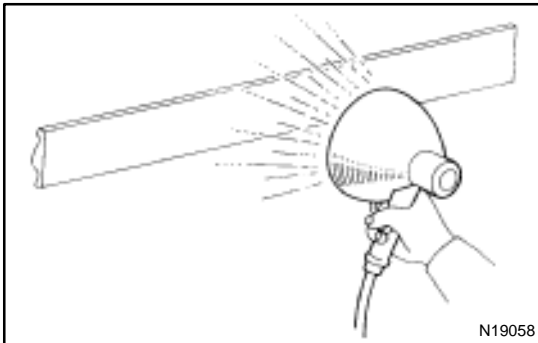
1. HEAT BODY MOUNTING SURFACE

- (a) Using a heat light, heat the body mounting surface to 40 – 60 °C (104 – 140 °F).

NOTICE:

Do not heat body excessively.

- (b) Remove the adhesive tape from the body.
 (c) Wipe off stains with cleaner.



2. CLEAN MOULDING

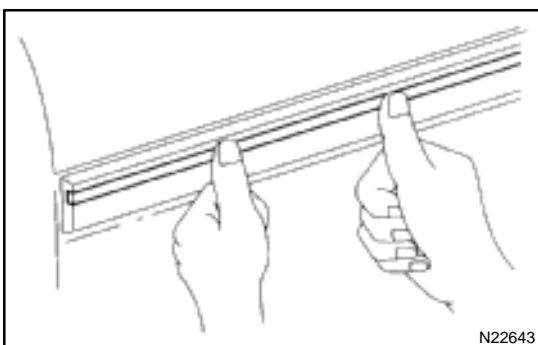
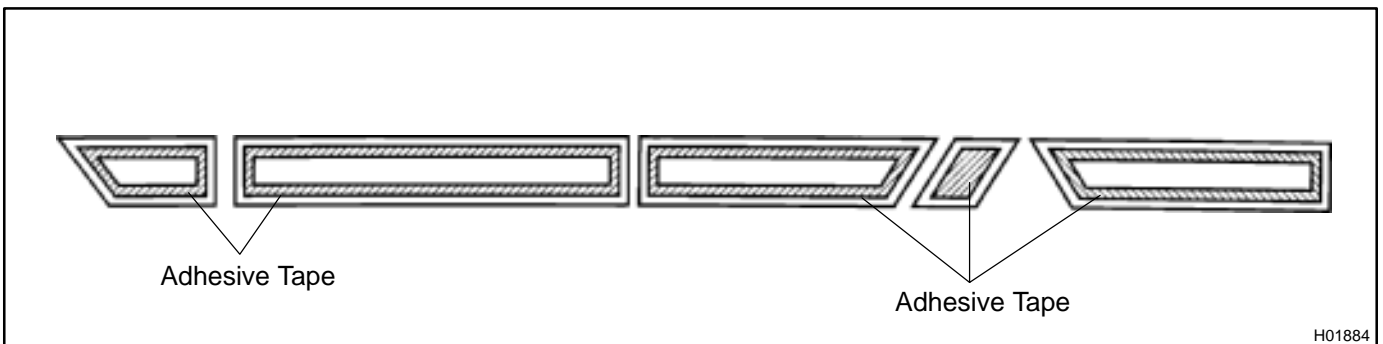
If reusing the moulding:

- (a) Using a heat light, heat the moulding to 20 – 30 °C (68 – 86 °F).

NOTICE:

Do not heat moulding excessively.

- (b) Remove the adhesive tape from the moulding.
 (c) Wipe off stains with cleaner.
 (d) Apply a new adhesive tape to moulding as shown in the illustration.



3. INSTALL MOULDING

- (a) Using a heat light, heat the body and moulding.
Body: 40 – 60 °C (104 – 140 °F)
Moulding: 20 – 30 °C (68 – 86 °F)

NOTICE:

Do not heat moulding excessively.

- (b) Lift moulding release sheet from face of moulding.

NOTICE:

When the moulding release sheet is removed, make sure that no dirt or dust can get onto the uncoated area.

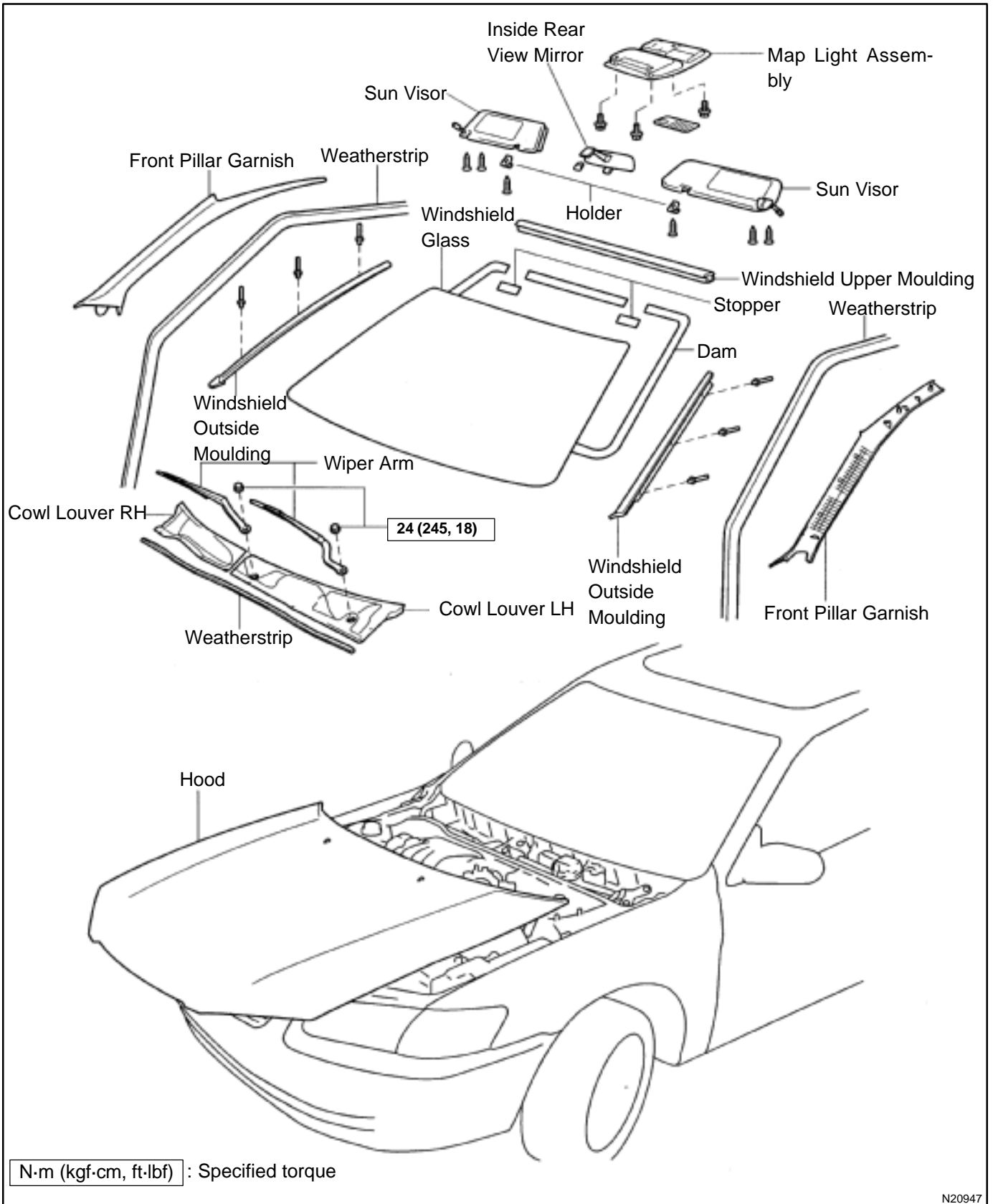
- (c) Align the bosses with their corresponding holes in the body, and press firmly on the moulding. Refer to the illustration for the front fender moulding application procedures.

NOTICE:

Do not apply excessive force onto the moulding, but steady pressure with your thumbs.

WINDSHIELD COMPONENTS

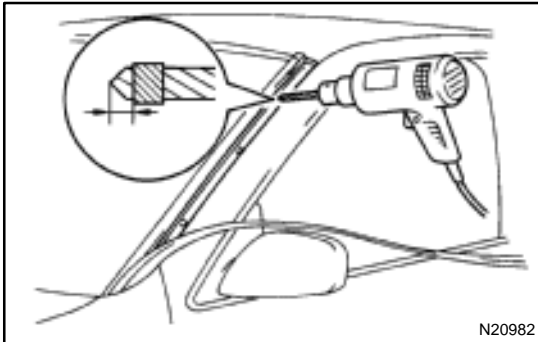
BO0LO-01



REMOVAL

1. REMOVE THESE PARTS:

- (a) Inner rear view mirror
- (b) Sun visors and holders
- (c) Map light assembly
- (d) Front pillar garnishes
- (e) Hood
- (f) Wiper arms
- (g) Cowl louvers
- (h) Weatherstrips



2. REMOVE WEATHERSTRIP

Remove the weatherstrip by pulling.

HINT:

Remove only the front half of weatherstrip.

3. REMOVE WINDSHIELD OUTSIDE MouldING

- (a) Using a drill of less than \varnothing 5.0 mm (0.20 in.), drill out the rivet heads and remove the moulding.
- (b) Using a vacuum cleaner, remove the drill rivet and their dust from the inside of the door.

CAUTION:

The cut rivet and rivet cutter will be hot, avoid touching them.

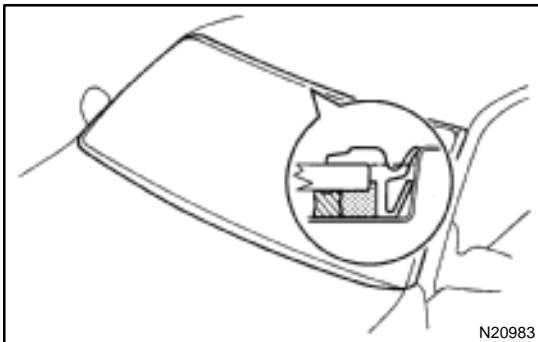
NOTICE:

Do not jiggle the rivet cutter while cutting. You may enlarge the rivet hole or damage the rivet cutter.

HINT:

Do not drill the body.

Sealant may cause the moulding to stick to the glass. If necessary, separate from the glass using a knife.



4. REMOVE WINDSHIELD UPPER MouldING

Using a knife, cut off the moulding as shown.

NOTICE:

Do not damage the body with the knife.



5. REMOVE WINDSHIELD GLASS

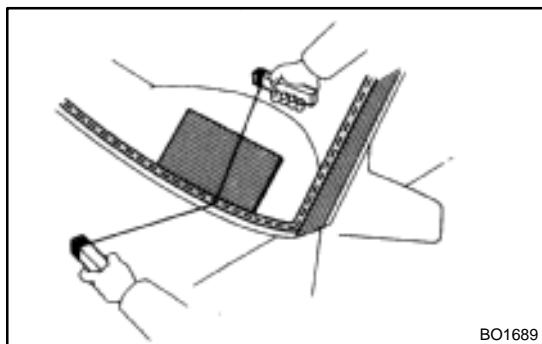
- (a) Push piano wire through between the body and glass from the interior.
- (b) Tie both wire ends to a wooden block or a similar object.

HINT:

Apply adhesive tape to the outer surface to prevent scratching.

NOTICE:

When separating the glass, be careful not to damage the paint and interior and exterior ornaments. To prevent scratching the safety pad when removing the windshield, place a plastic sheet between the piano wire and safety pad.



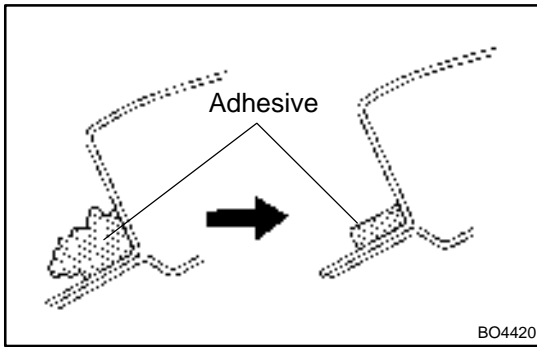
(c) Cut the adhesive by pulling the piano wire around it.

(d) Remove the glass.

NOTICE:

Leave as much of the adhesive on the body as possible when removing the glass.

6. REMOVE RETAINERS



INSTALLATION

1. CLEAN AND SHAPE CONTACT SURFACE OF BODY

- (a) Using a knife, cut away any rough areas on the body.

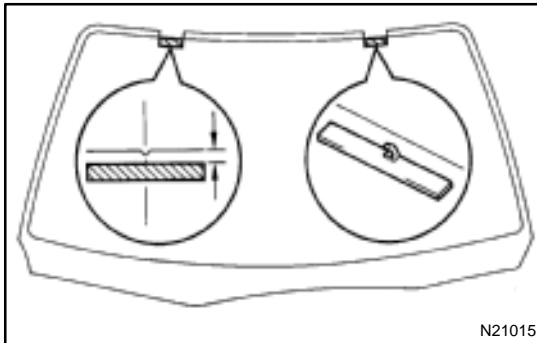
HINT:

Leave as much of the adhesive on the body as possible.

- (b) Clean the cutting surface of the adhesive with a piece of shop rag saturated in cleaner.

HINT:

Even if all the adhesive has been removed, clean the body.



2. REPLACE STOPPER

- (a) Remove the damaged stopper.

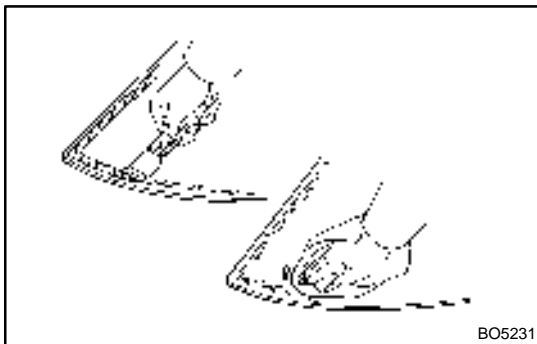
- (b) Cut off the old adhesive around the stopper installation area.

NOTICE:

Be careful not to damage the body.

- (c) Clean the installation area.

- (d) Install a new stopper onto the body.



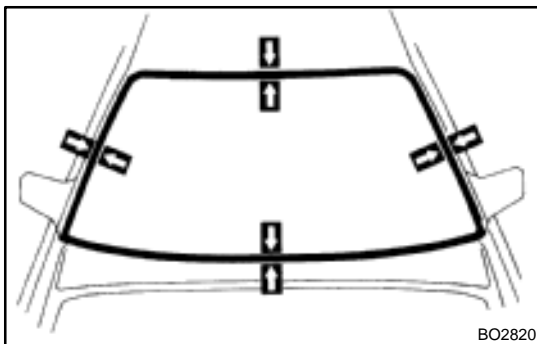
3. CLEAN REMOVED GLASS

- (a) Using a scraper, remove the adhesive sticking to the glass.

- (b) Clean the glass with cleaner.

NOTICE:

Do not touch the glass after cleaning it.



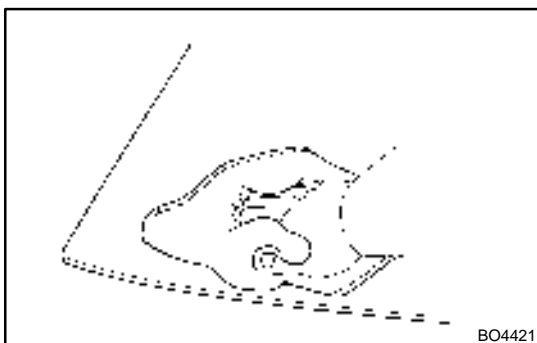
4. POSITION GLASS

- (a) Place glass in the correct position.

- (b) Check that all contacting parts of the glass rim are perfectly even and do not make contact with the fasteners.

- (c) Place reference marks between the glass and body.

- (d) Remove the glass.

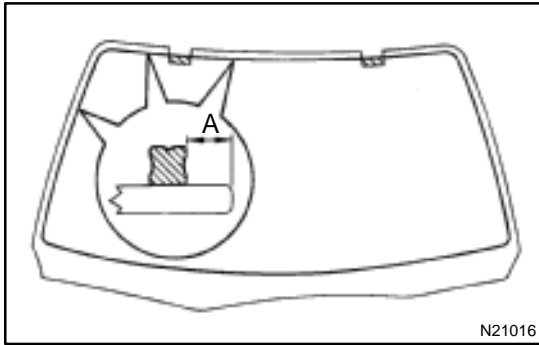


5. CLEAN CONTACT SURFACE OF GLASS

Using a cleaner, clean the contact surface black-colored area around the entire glass rim.

NOTICE:

Do not touch the glass face after cleaning it.



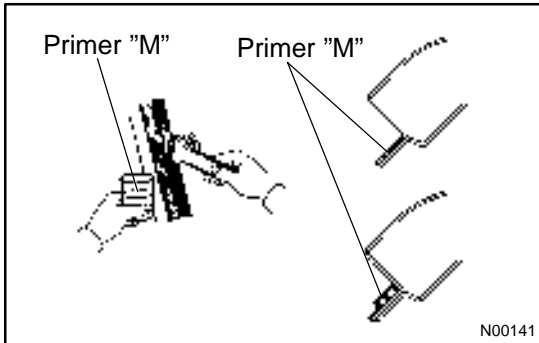
6. INSTALL DAM

Install the dam with double-stick tape as shown in the illustration.

NOTICE:

Do not touch the glass face after cleaning it.

A: 7 mm (0.276 in.)

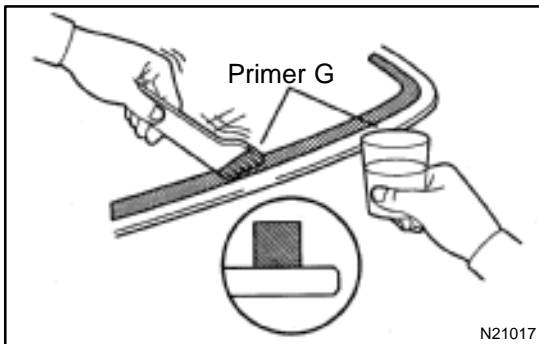


7. COAT CONTACT SURFACE OF BODY WITH PRIMER "M"

Using a brush, coat the contact surface on the body with Primer M.

NOTICE:

Let the primer coating dry for 3 minutes or more. Do not coat Primer M to the adhesive. Do not keep any of the opened Primer M for later use.



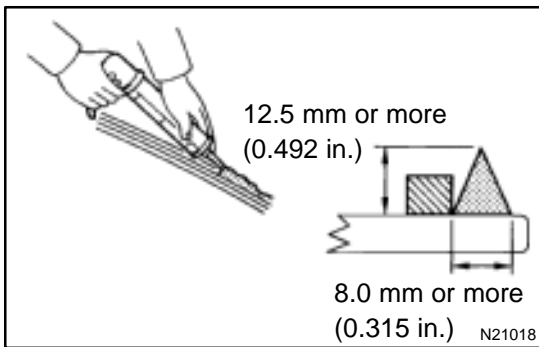
8. COAT CONTACT SURFACE OF GLASS WITH PRIMER "G"

(a) Using a brush or a sponge, coat the edge of the glass and the contact surface with Primer G.

(b) Before the primer dries, wipe it off with a clean shop rag.

NOTICE:

Let the primer coating dry for 3 minutes or more. Do not keep any of the opened Primer G for later use.



9. APPLY ADHESIVE

(a) Cut off the tip of the cartridge nozzle. Fill the cartridge with adhesive.

Part No. 08850 - 00801 or equivalent

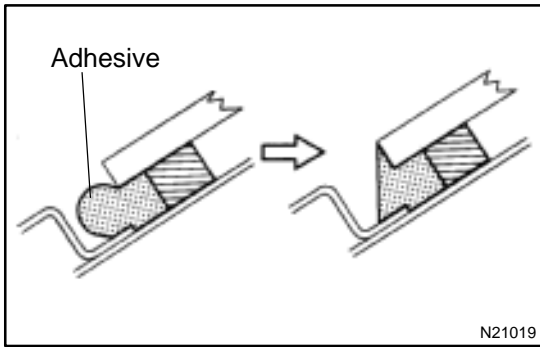
HINT:

After cutting off the tip, use all adhesive within the time described in the chart below.

Temperature	Tackfree time
35 °C (95 °F)	15 minute
20 °C (68 °F)	100 minute
5 °C (41 °F)	8 hour

(b) Load the cartridge into the sealer gun.

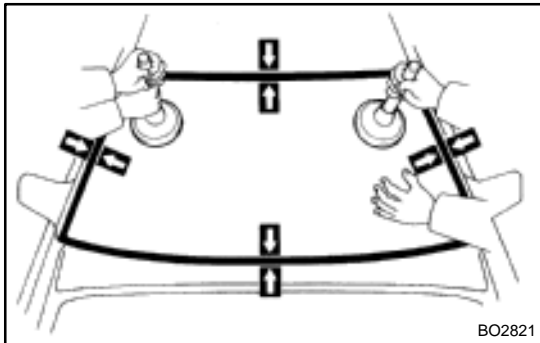
(c) Coat the glass with adhesive as shown.



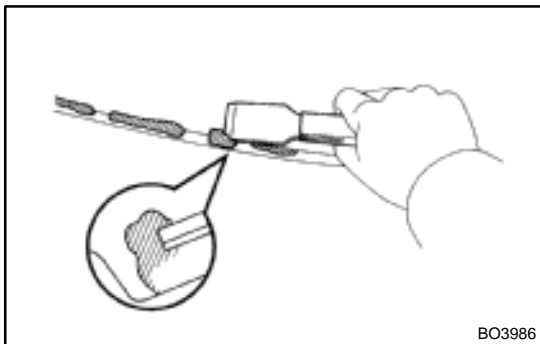
10. INSTALL GLASS

HINT:

Confirm that the dam is attached the body panel as shown in the illustration.



- (a) Position the glass so that the reference marks are lined up, and press in gently along the rim.
- (b) Using a spatula, apply adhesive on the glass rim.



- (c) Use a scraper to remove any excess or protruding adhesive.

NOTICE:

Take care not to drive the vehicle during the time described in the chart below.

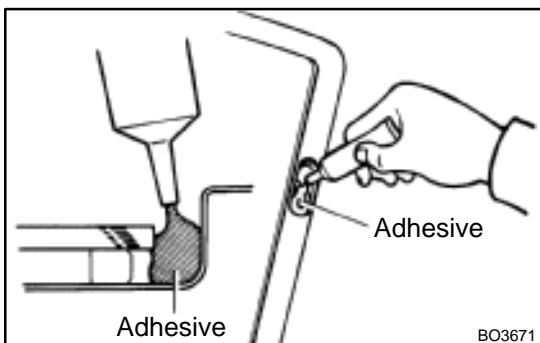
Temperature	Minimum time prior to drive the vehicle
35 °C (95 °F)	1.5 hour
20 °C (68 °F)	5 hour
5 °C (41 °F)	24 hour

- (d) Hold the windshield glass in place securely with a protective tape or equivalent until the adhesive hardened.

11. INSPECT FOR LEAKS AND REPAIR

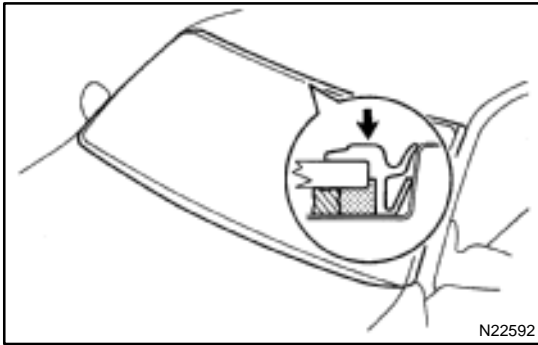
- (a) Do a leak test after the hardening time has elapsed.
- (b) Seal any leak with sealant.

Part No. 08833 - 00030 or equivalent

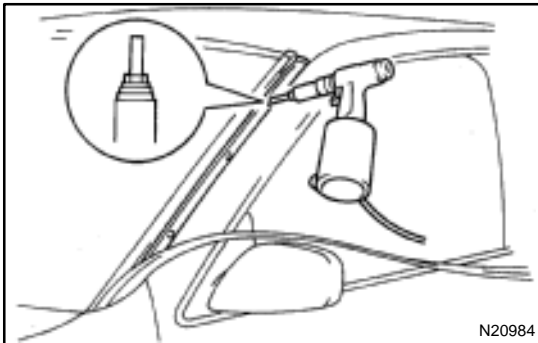


12. APPLY ADHESIVE AT MOULDING INSTALLATION AREA

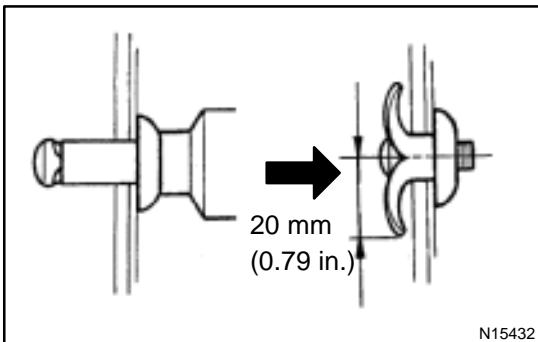
Part No. 08833 - 00030 or equivalent

**13. INSTALL WINDSHIELD UPPER MOULDING**

Place the moulding onto the body and tap it in by hand.

**14. INSTALL WINDSHIELD OUTSIDE MOULDING**

- (a) Install the pawl of the outside moulding to the upper moulding to set the moulding to the body.
- (b) Using an air riveter with nose piece, install the new 3 rivets and outside moulding.

**CAUTION:**

To avoid personal injury and short of the wiring when installing \varnothing 5.0 mm (0.20 in.) rivets keep your hands out of the 20 mm (0.79 in.) radius that the caulked \varnothing 5.0 mm (0.20 in.) rivet will cover.

HINT:

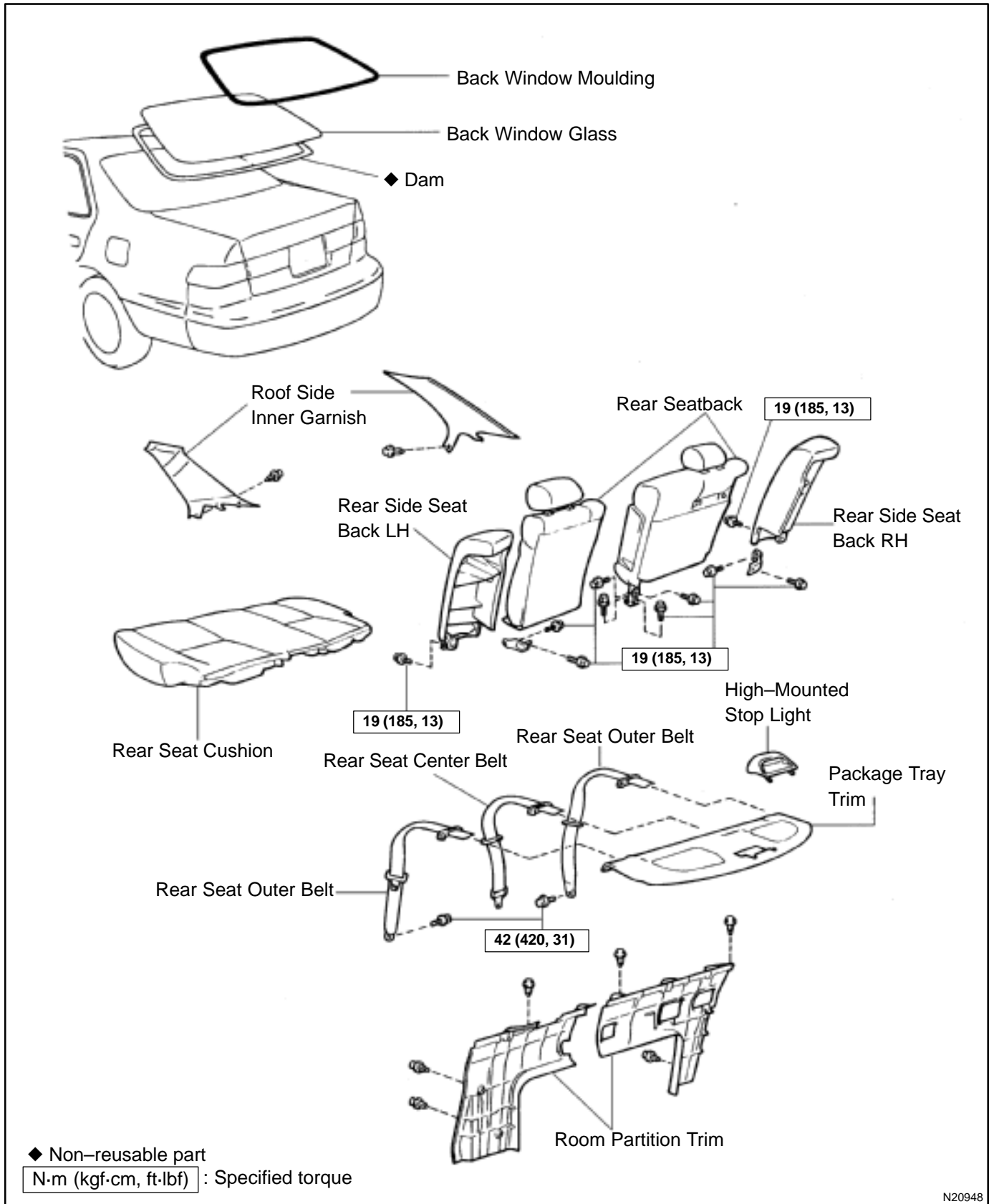
Install the rivet firmly pressed at a right angle (90°) against the installation hole.

15. INSTALL THESE PARTS:

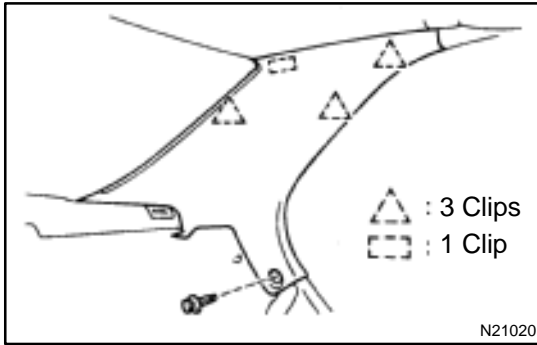
- (a) Cowl louvers
 - (b) Weatherstrips
 - (c) Wiper arms
- Torque: 24 N·m (245 kgf·cm, 18 ft·lbf)**
- (d) Front pillar garnishes
 - (e) Map light assembly
 - (f) Sun visors and holders
 - (g) Inner rear view mirror

BACK WINDOW GLASS COMPONENTS

BO0LR-01



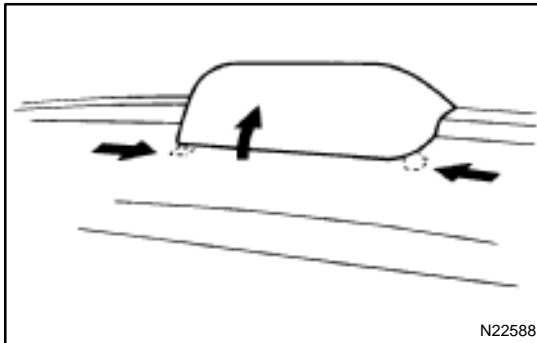
N20948



REMOVAL

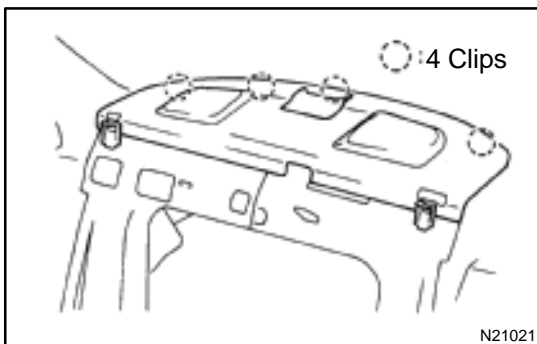
1. REMOVE REAR SEAT CUSHION AND SEATBACKS
2. REMOVE ROOF SIDE INNER GARNISHES

- (a) Remove the clips.
- (b) Pull the garnish to remove it.



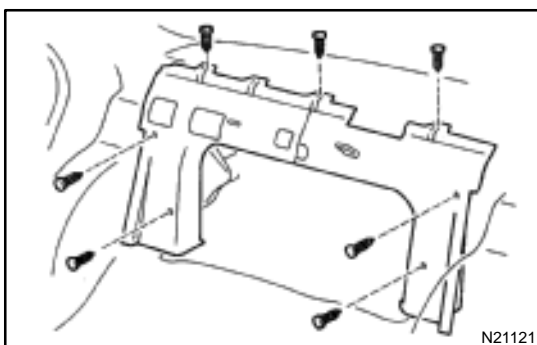
3. REMOVE HIGH-MOUNTED STOP LIGHT

- (a) Push on the both side of the cover to release the claws by your hand and remove the cover as shown in the illustration.
- (b) Remove the 2 bolts and stop light, then disconnect the connector.



4. REMOVE PACKAGE TRAY TRIM

- (a) Remove the bolts holding the rear seat belt lower side to the body.
- (b) Remove the seat belts with seat belt hole covers from the package trim.
- (c) Remove the trim by pulling forward.



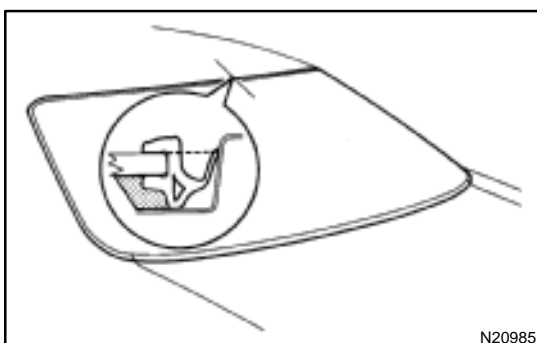
5. REMOVE ROOM PARTITION TRIMS

Remove the 6 clips and room partition trims.

6. REMOVE THESE PARTS

- (a) Assist grips.
- (b) Rear side of roof headlining.

7. DISCONNECT DEFOGGER WIRE CONNECTORS



8. REMOVE BACK WINDOW MOULDING

Using a knife, cut off the moulding as shown.

NOTICE:

Do not damage the body with the knife.

9. REMOVE BACK WINDOW GLASS

Remove the glass in the same way as windshield.

(See page [BO-43](#))

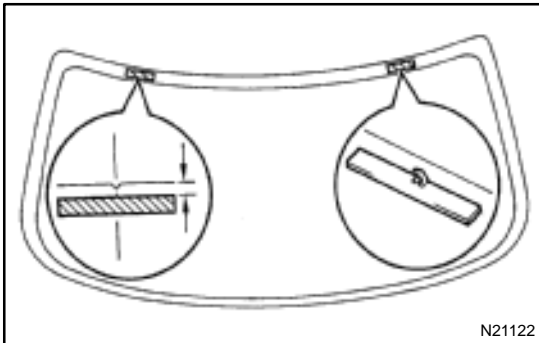
INSTALLATION

HINT:

Refer to the installation of windshield, install back window glass by the following operations.

(See page BO-45)

1. **CLEAN AND SHAPE CONTACT SURFACE OF BODY**
2. **CLEAN REMOVED GLASS**



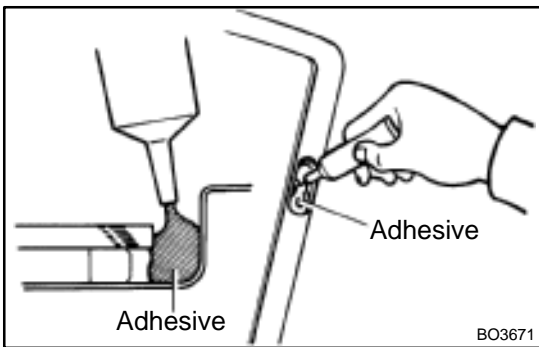
3. **REPLACE STOPPERS**
4. **POSITION GLASS**
5. **CLEAN CONTACT SURFACE OF GLASS**
6. **INSTALL DAM**

Install the dam with double-stick tape as show in the illustration.

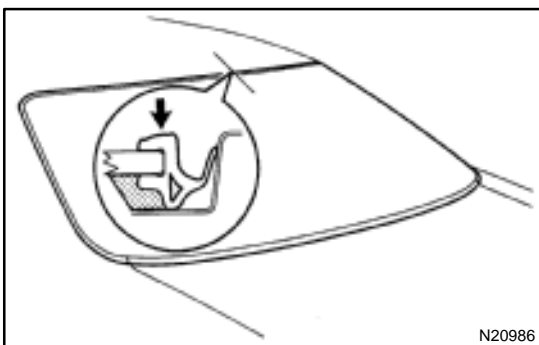
NOTICE:

Do not touch the glass face after cleaning it.

7. **COAT CONTACT SURFACE OF BODY WITH PRIMER "M"**
8. **COAT CONTACT SURFACE OF GLASS WITH PRIMER "G"**

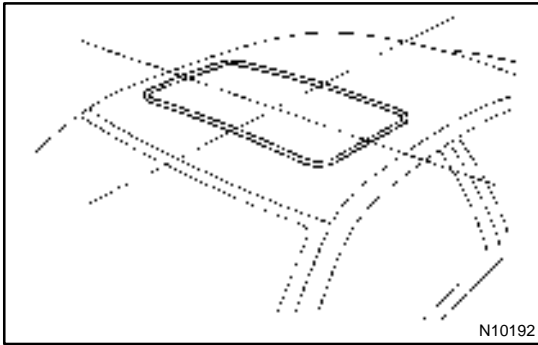


9. **APPLY ADHESIVE AT MOULDING INSTALLATION AREA**



10. **INSTALL BACK WINDOW MOULDING**
Place the moulding onto the body and tap it by hand.
11. **APPLY ADHESIVE**
12. **INSTALL GLASS**
13. **INSPECT FOR LEAKS AND REPAIR**
14. **CONNECT DEFOGGER CONNECTORS**
15. **INSTALL THESE PARTS:**
 - (a) Rear side of roof headlining
 - (b) Assist grips
 - (c) Package tray trim

- (d) Room partition trims
- (e) Seat belt lower side bolts
Torque: 42 N·m (420 kgf·cm, 31 ft·lbf)
- (f) High-mounted stop light
- (g) Roof side inner garnish
- (h) Rear seatbacks and seat cushion
Torque: 18 N·m (185 kgf·cm, 13 ft·lbf)



SLIDING ROOF (TMC Made) ON-VEHICLE INSPECTION

BOOM1-01

INSPECT SLIDING ROOF GLASS ALIGNMENT

- (a) Start the engine and check the operation time of the sliding roof.

Operation time:

Approx. 6 secs.

- (b) Check for abnormal noise or binding during operation.
(c) With the sliding roof fully closed, check for water leakage.
(d) Check for a difference in level between the sliding roof weatherstrip and roof panel.

Except rear end:

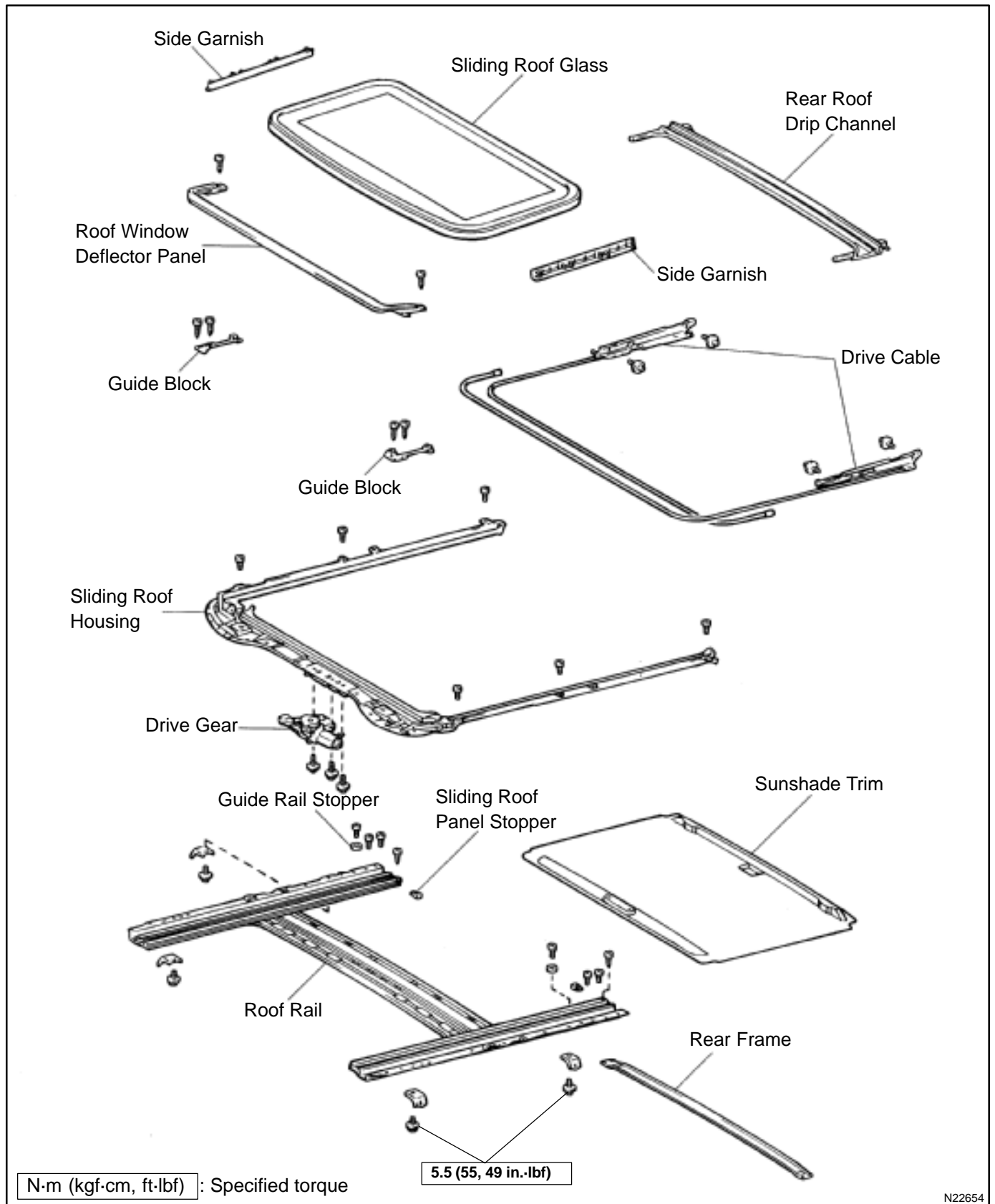
0 ± 1.5 mm (0 ± 0.059 in.)

Rear end:

0 + 1.5 mm (0 + 0.059 in.)

0 - 1.0 mm (0 - 0.039 in.)

COMPONENTS



REMOVAL

1. REMOVE ROOF HEADLINING

(See page [BO-83](#))

2. REMOVE SIDE GARNISH

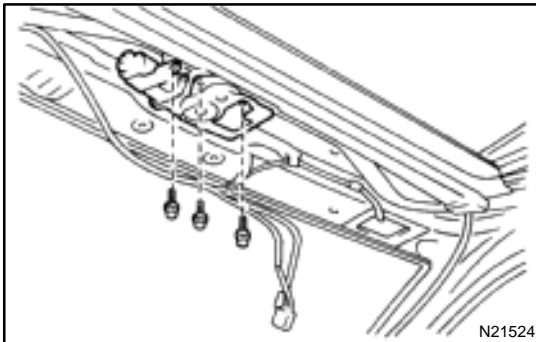
Using a screwdriver, remove the garnishes.

HINT:

Tape the screwdriver tip before use.

3. REMOVE SLIDING ROOF GLASS ASSEMBLY

- (a) Using a torx wrench, remove the 4 screws.
- (b) Pull the glass upward to remove it.

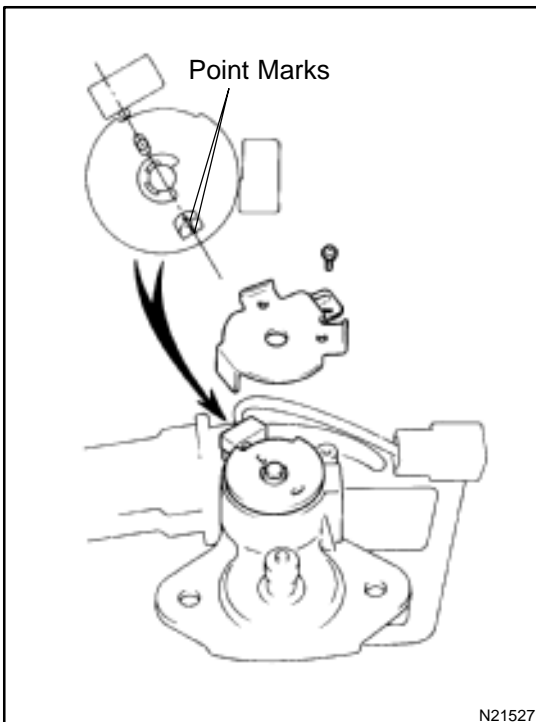


4. REMOVE DRIVE GEAR

NOTICE:

Remove the drive gear with the sliding roof is full closed.

- (a) Disconnect the connector.
- (b) Remove the 3 bolts and drive gear.



- (c) Remove the screw and cam plate cover.
- (d) Turn the drive gear to align the point marks as shown in the illustration.
- (e) Install the cam plate cover and screw.

NOTICE:

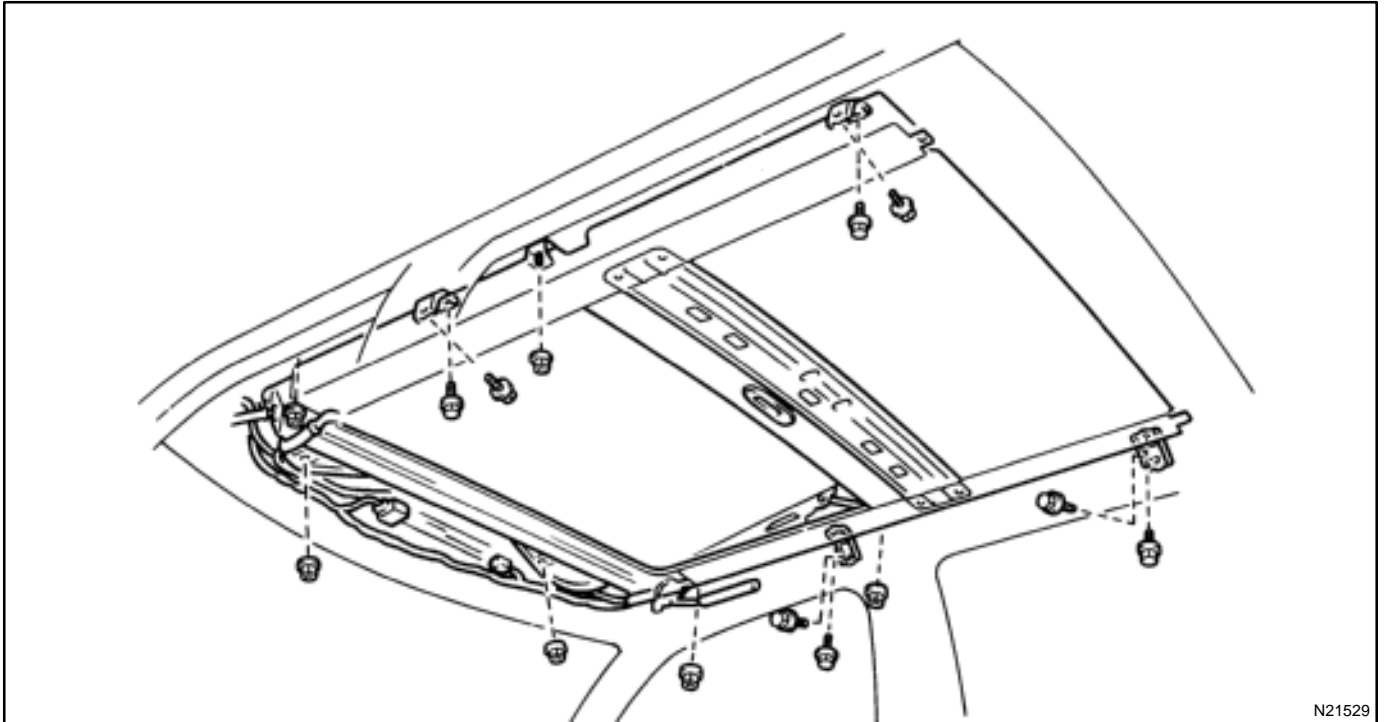
At the time of installation, please refer to the following item. If the sliding roof position and drive gear full close position is not matched, the sliding roof does not operate normally.

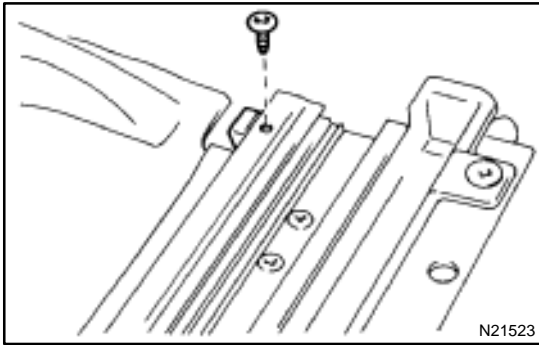
5. REMOVE SLIDING ROOF HOUSING

- (a) Disconnect the 4 drain hoses from the housing.
- (b) Remove the 8 bolts and 4 brackets.

Torque: 5.5 N·m (55 kgf·cm, 49 in.-lbf)

- (c) Remove the 6 nuts, then remove the housing as shown on the following page.



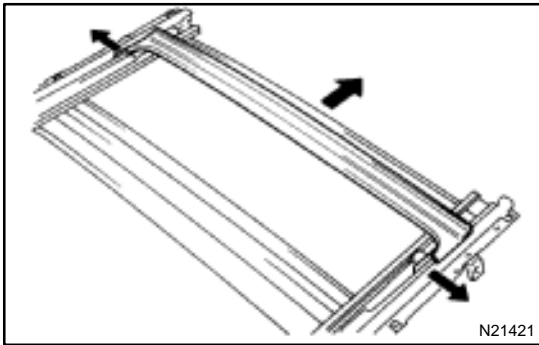


DISASSEMBLY

1. REMOVE SLIDING ROOF PANEL STOPPER

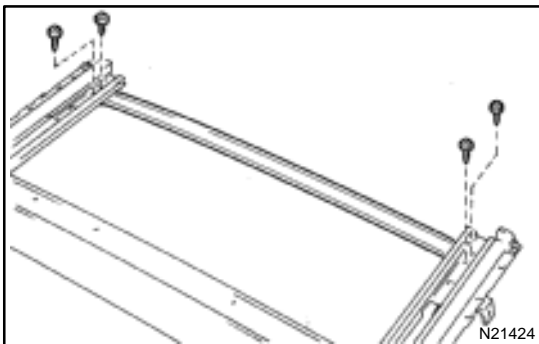
Remove the 2 screws and 2 stoppers.

2. REMOVE SUNSHADE TRIM



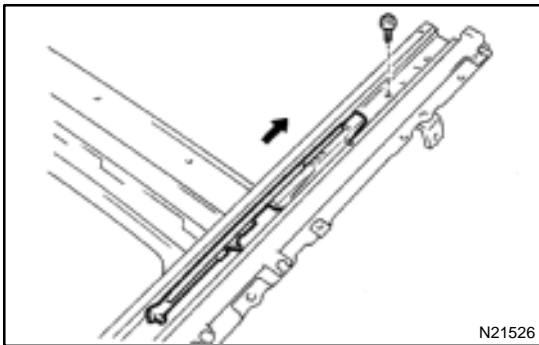
3. REMOVE REAR ROOF DRIP CHANNEL

Remove the rear roof drip channel as shown in the illustration.



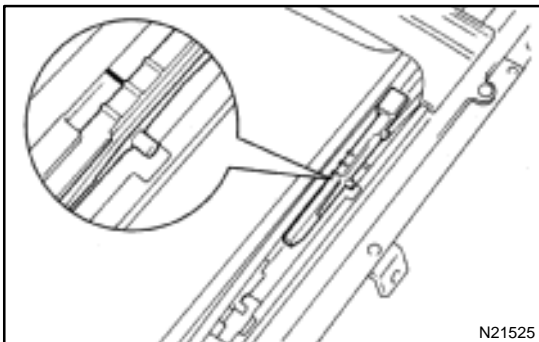
4. REMOVE REAR FRAME

Remove the 4 screws and rear frame.



5. REMOVE DRIVE CABLE

- (a) Remove the screw and guide rail stopper.
- (b) Slide the drive cable rearward, then remove it.

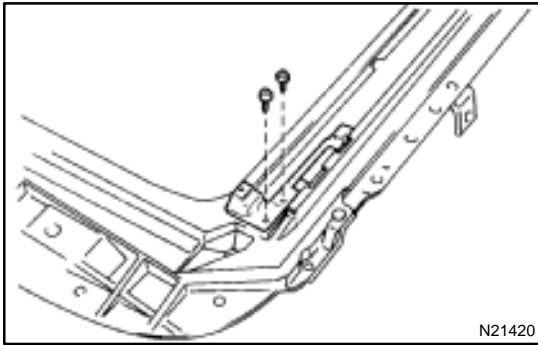


HINT:

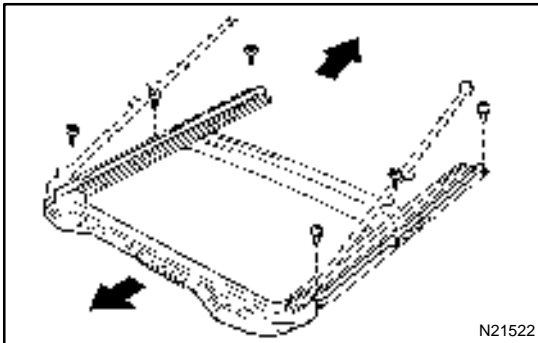
At the time of reassembly, please refer to the following items.

- ◆ Adjust the drive cable to a closed and tilted down position.
- ◆ Slide the cable forward or backward to align the 2 marks as shown.
- ◆ Slide the cable to the forefront with your hand.

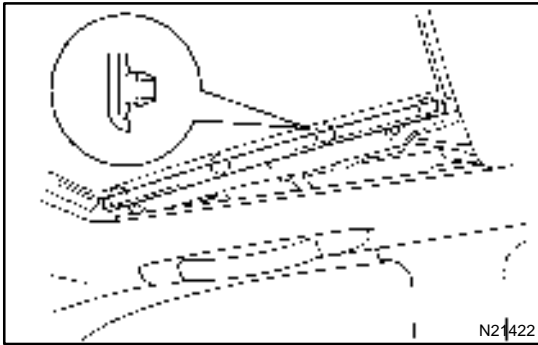
6. REMOVE ROOF WINDOW DEFLECTOR PANEL

**7. REMOVE GUIDE BLOCK**

Remove the 2 screws and guide block.

**8. REMOVE SLIDING ROOF HOUSING**

Remove the 6 screws and sliding roof housing.



N2422

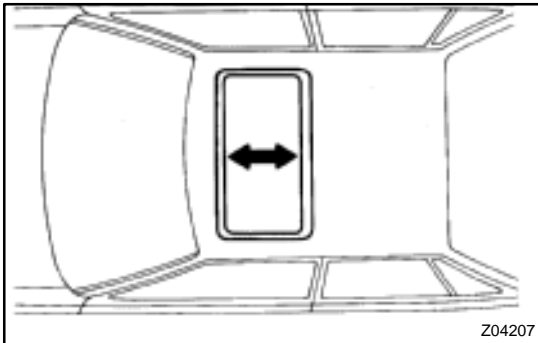
ADJUSTMENT

1. REMOVE SIDE GARNISH

Before making adjustments, using a screwdriver, remove the side garnishes.

HINT:

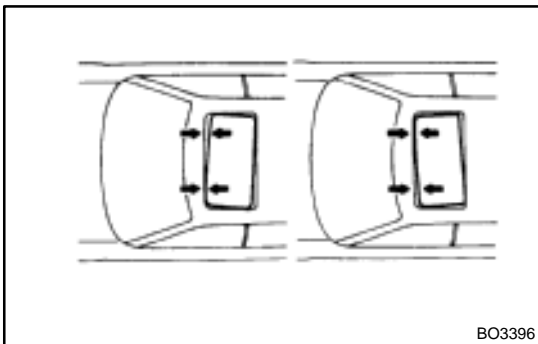
- ◆ Tape the screwdriver tip before use.
- ◆ After adjustment, reinstall the side garnishes.



Z04207

2. TO ADJUST FORWARD OR REARWARD

- (a) Using a torx wrench, loosening the sliding roof glass installation screws.
- (b) Adjust the sliding roof glass forward and rearward.



BO3396

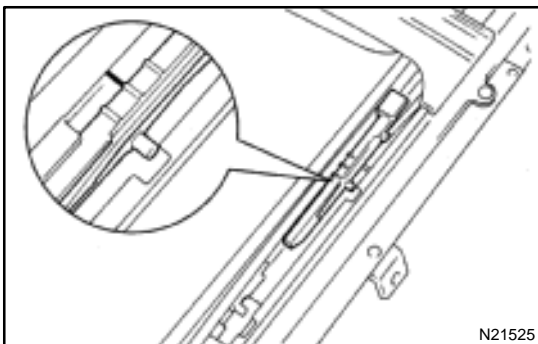
3. TO ADJUST CLEARANCE

(Difference in left and right clearance)

- (a) When the front or rear alignment is not correct, remove the drive gear and sliding roof glass, then adjust the drive rail.

NOTICE:

Remove the drive gear with sliding roof is full closed.



N21525

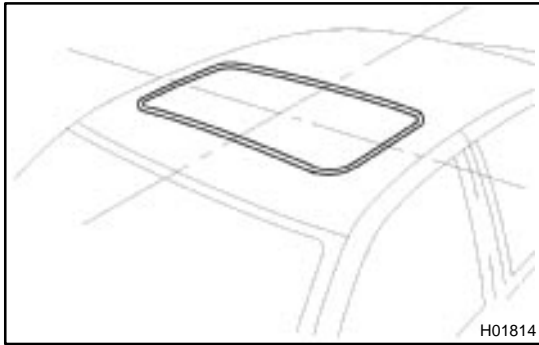
- (b) Adjust by slide the cable forward or rearward to align the 2 marks as shown.
- (c) Install the drive gear and sliding roof glass.

REASSEMBLY

Reassembly is in the reverse order of disassembly (See page [BO-57](#)).

INSTALLATION

Installation is in the reverse order of removal (See page [BO-55](#)).



SLIDING ROOF (TMMK Made) ON-VEHICLE INSPECTION

INSPECT SLIDING ROOF GLASS ALIGNMENT

- (a) Start the engine and check the operation time of the sliding roof.

Operation time:

Approximately 6 sec.

- (b) Check for abnormal noise or binding during operation.
 (c) Check for water leakage with the sliding roof fully closed.
 (d) Check the alignment between the sliding roof weatherstrip and the roof panel.

All sides:

$0 \pm 1.5 \text{ mm}$ ($0 \pm 0.059 \text{ in.}$)

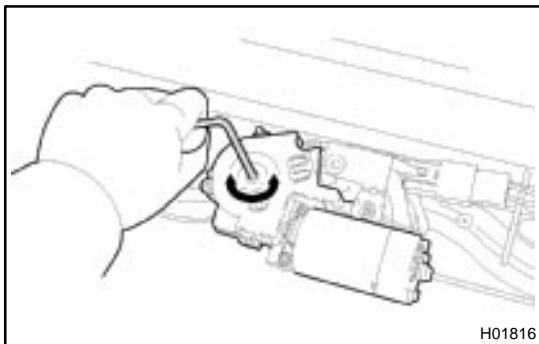
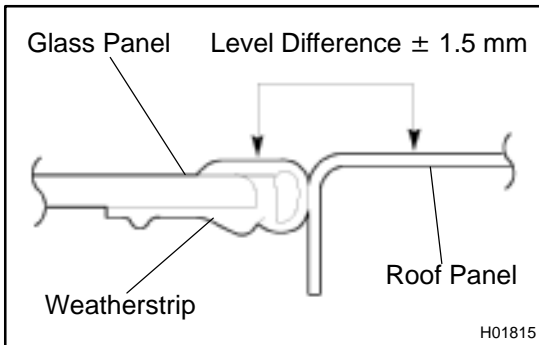
HINT:

At the time of installation, please refer to the following item.

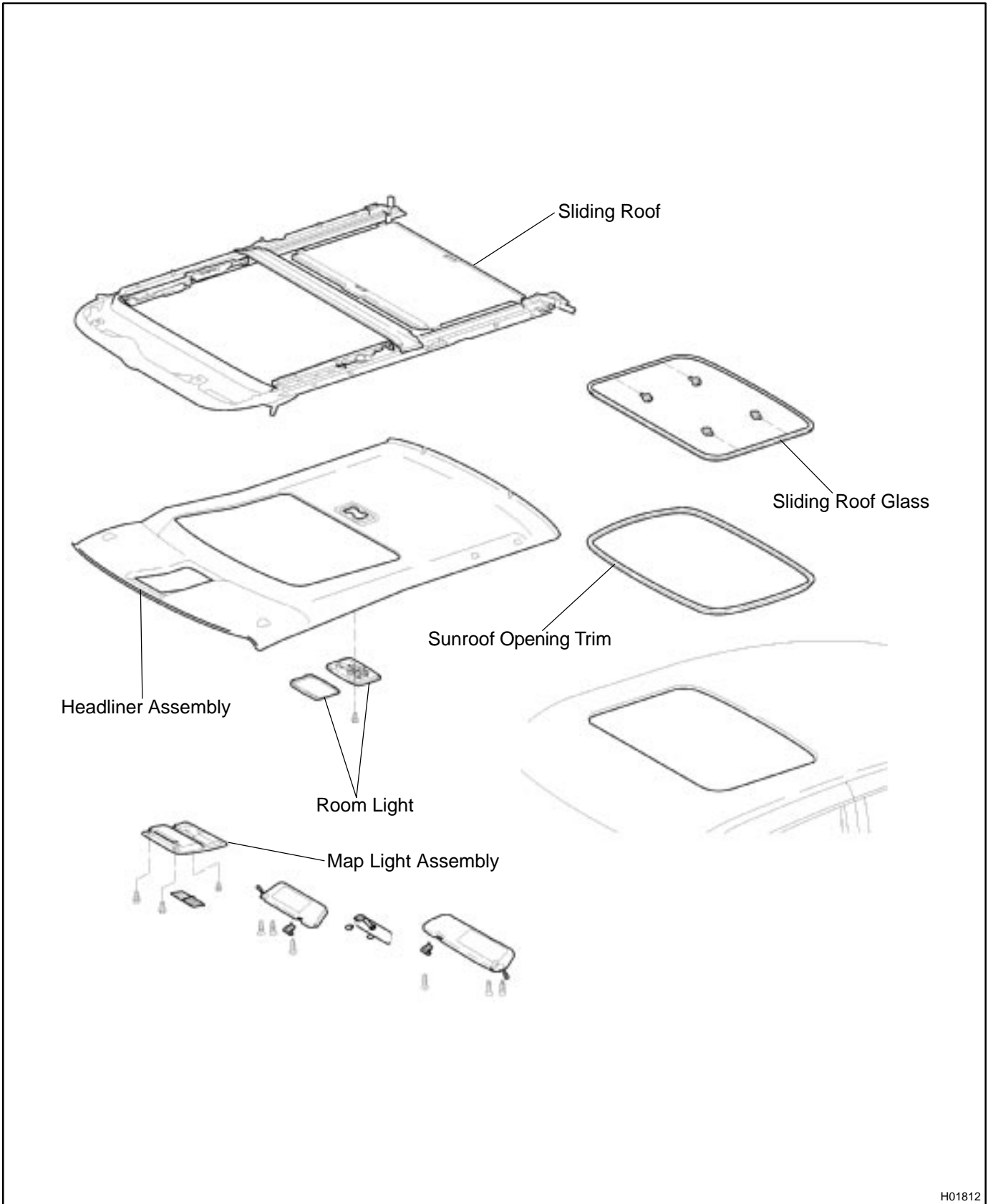
To align the glass to the roof surface, loosen the 4 screws, then adjust and retighten.

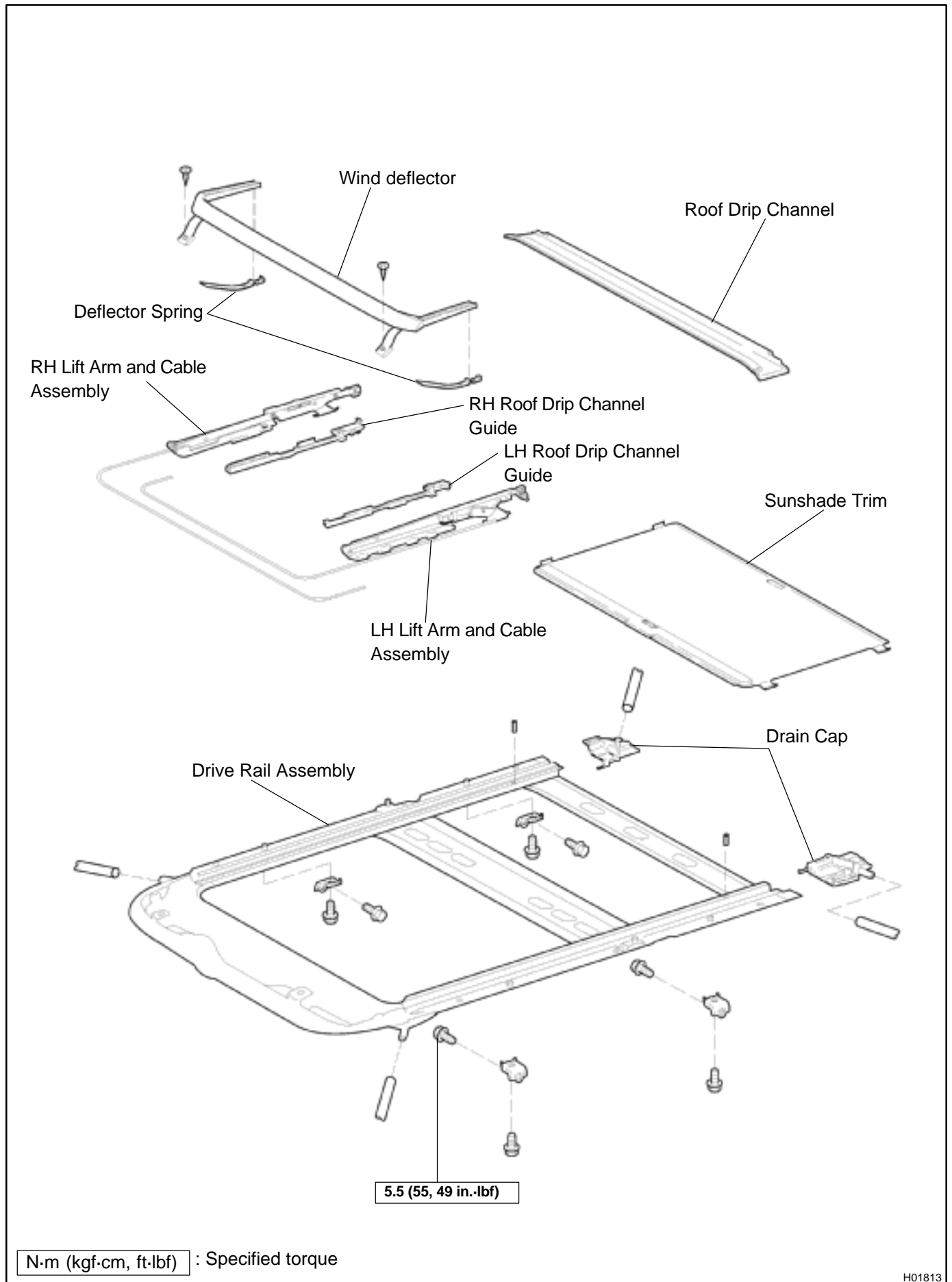
If the sliding roof does not operate:

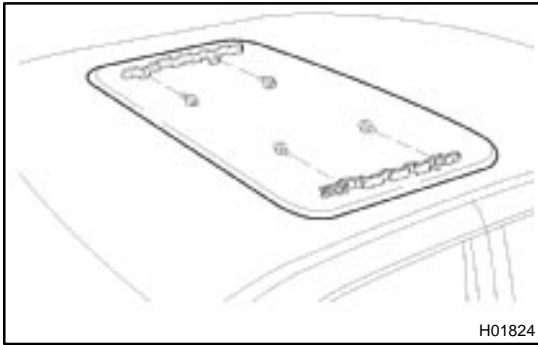
- (e) Remove the map light assembly.
 (f) Manually operate the sliding roof by inserting a hex wrench into the motor to turn the drive shaft.



COMPONENTS







REMOVAL

1. REMOVE ROOF HEADLINING

(See page [BO-83](#))

2. REMOVE SIDE GARNISHES

HINT:

At the time of installation, please refer to the following item.
Soak the garnishes in water to soften them before assembly.

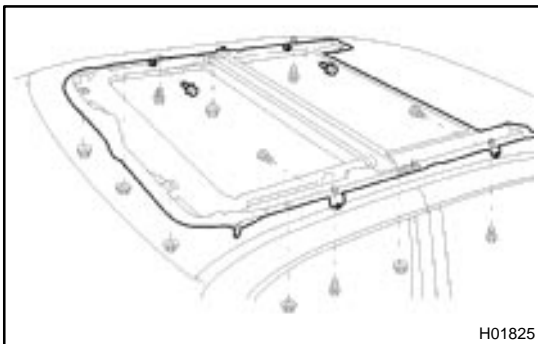
3. REMOVE GLASS PANEL ASSEMBLY

(a) Remove the 4 glass panel adjustment screws.

HINT:

At the time of installation, please refer to the following item.
Adjust the height of the glass panel, then tighten the 4 screws.

(b) Pull the glass upward to remove it.



4. REMOVE SLIDING ROOF ASSEMBLY

(a) Remove the 4 drain hoses from the sliding roof assembly.

(b) Remove the 8 bolts and 4 brackets.

Torque: 5.5 N·m (55 kgf·cm, 49 in.-lbf)

(c) Remove the 6 nuts and the sliding roof assembly.

DISASSEMBLY

1. REMOVE SLIDING ROOF HOUSING DRAIN CAP

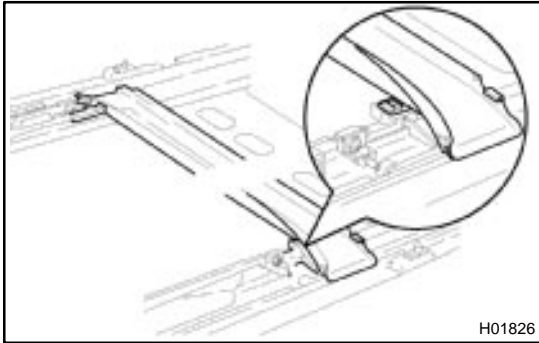
Pull the drain cap rearward to remove it.

HINT:

At the time of reassembly, please refer to the following item.
Apply seal packing to the drain cap.

Seal packing:

Part No.1 08826 - 00090 or equivalent



H01826

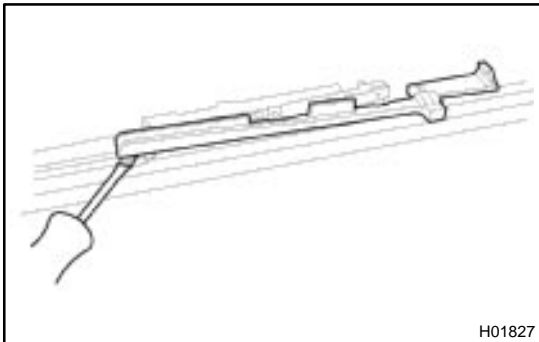
2. REMOVE REAR ROOF DRIP CHANNEL

Unclip the roof drip channel from the roof drip channel guide.

HINT:

At the time of reassembly, please refer to the following item.
Align the rear roof drip channel to the roof drip channel guide hook.

3. REMOVE SUNSHADE TRIM



H01827

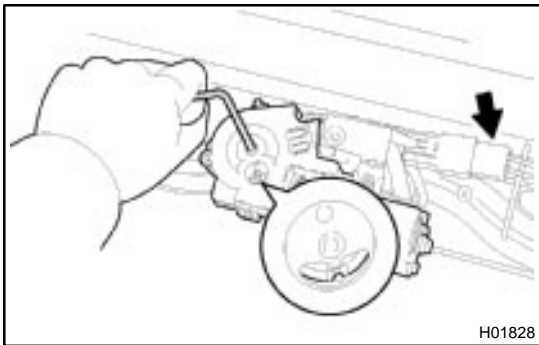
4. REMOVE LH AND RH ROOF DRIP CHANNEL GUIDE

(a) Using a screwdriver, remove the guide from the lift arm assembly.

HINT:

Tape the screwdriver tip before using.

(b) Slide the guide out of the side rail.



H01828

5. REMOVE DRIVE GEAR ASSEMBLY

(a) Use a hex wrench to align the gear pointer with the housing pointer.

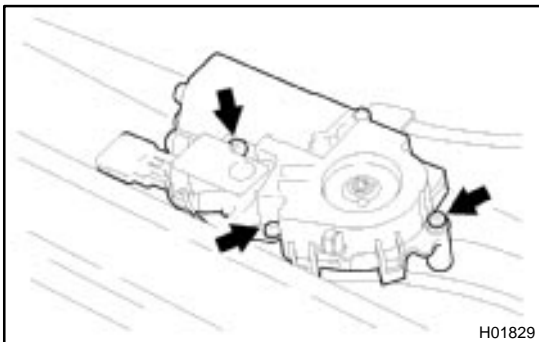
(b) Disconnect the harness connector.

(c) Remove the 3 screws and the drive gear assembly.

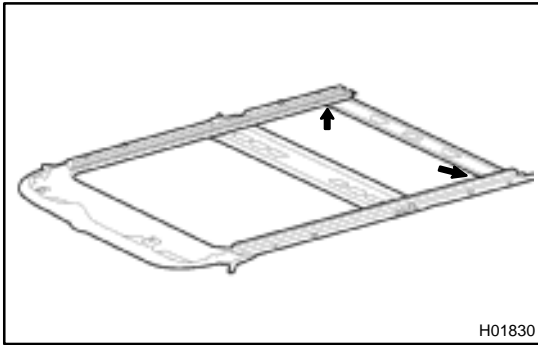
HINT:

At the time of reassembly, please refer to the following item.
Align the drive gear assembly during reassembly.

(See page [BO-68](#)).



H01829



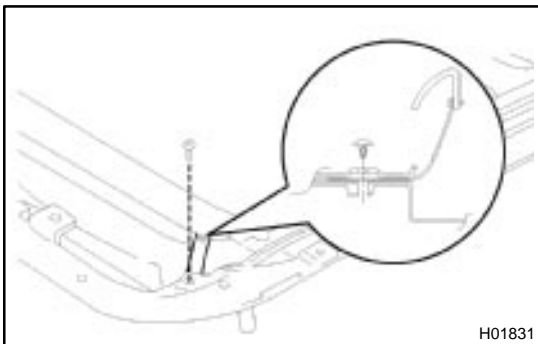
6. REMOVE LH AND RH SIDING ROOF LIFT ARM AND CABLE ASSEMBLIES

- (a) Using a drill, cut the flange portion of the stop pin (rivet) from each side rail.

HINT:

At the time of reassembly, please refer to the following item.
Use two new rivets.

- (b) Slide the LH sliding roof lift arm and drive cable from its side rail.
(c) Slide the RH sliding roof lift arm and drive cable from its side rail.

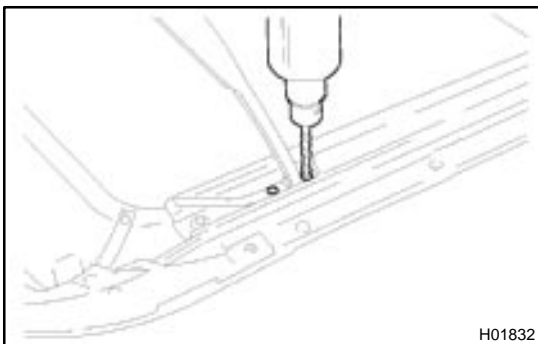


7. REMOVE WIND DEFLECTOR

- (a) Remove the 2 screws from the front rail assembly.

HINT:

At the time of reassembly, please refer to the following item.
Insert the strap into the front rail assembly as shown.



- (b) Using a drill, cut the flange portion of the 4 rivets.

NOTICE:

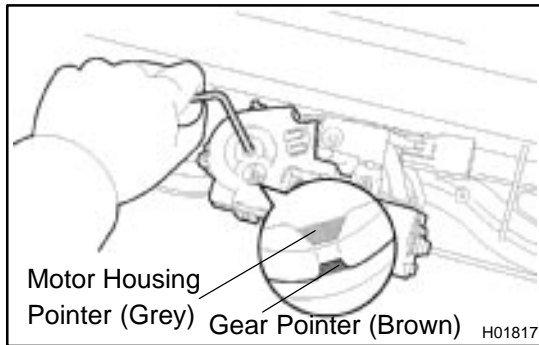
Be careful not to damage the side rail (rivet) holes when drilling.

HINT:

At the time of reassembly, please refer to the following item.
Use 4 new special sealing type rivets.

Part No. 09884-26003

- (c) Remove the deflector and spring assembly.
(d) Remove the spring from the deflector.



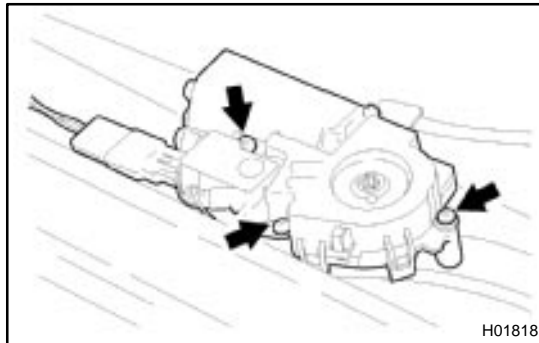
ADJUSTMENT

1. ALIGN THE MOTOR TO "O" POSITION

NOTICE:

The "O" position is the same as the sliding roof "flush" position (sliding roof closed).

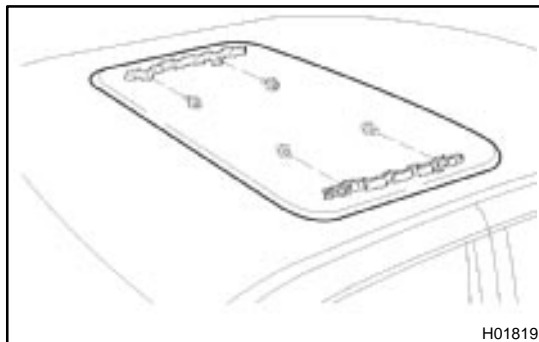
Use the vehicle sliding roof switch or a hex wrench to align the gear pointer with the motor housing pointer as shown.



NOTICE:

Use only the sliding roof switch to electrically operate the motor or sliding roof. Do not use any other electrical source to power the motor. If the sliding roof switch (under vehicle power) is not available, use a hex wrench to align the motor pointers.

2. REMOVE DRIVE GEAR ASSEMBLY



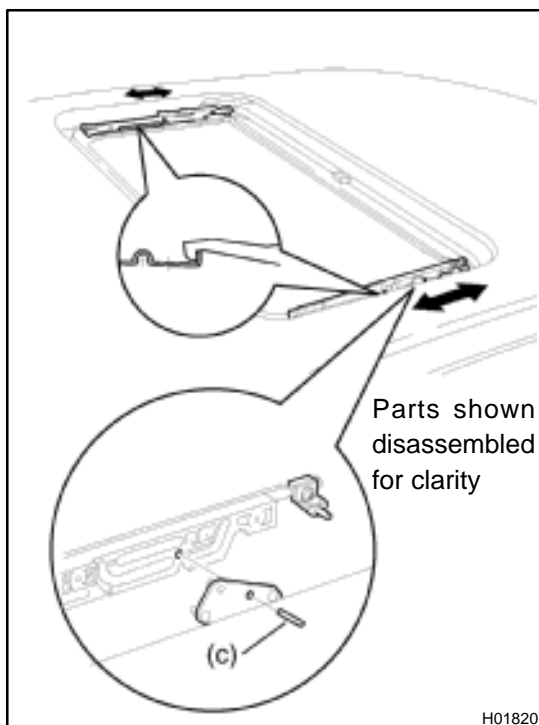
3. REMOVE GLASS PANEL

- (a) Remove the 4 glass panels adjustment screws.

HINT:

At the time of installation, please refer to the following item. Adjust the height of the glass panel, then tighten the 4 screws.

- (b) Pull the glass upward to remove it.



4. ALIGN SLIDING ROOF COMPONENTS

- (a) Verify the hook appears as shown.

- (b) Align the cable arm hole with the lift arm hole.

HINT:

Using a screwdriver, move the LH and RH cable assemblies forward and backward to align the holes in the cable arm and lifter arm.

- (c) Temporarily insert a 3 mm (0.12 in.) pin through the alignment holes in the cable arm and lifter arm.

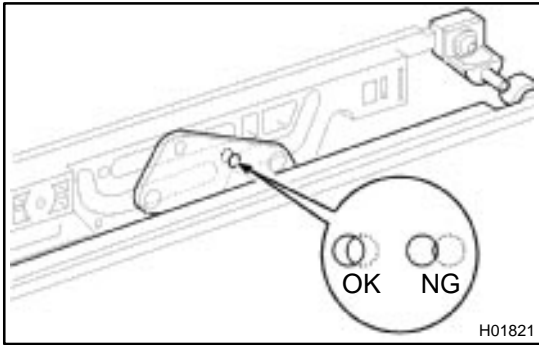
HINT:

Verify the cam block alignment hole is aligned with the lift arm alignment hole. Misalignment at this point will result in a malfunction of the sliding roof mechanism.

5. REINSTALL DRIVE GEAR ASSEMBLY

HINT:

Before reinstalling the drive gear assembly, double check the alignment of the gear pointers.



6. VERIFY CORRECT INSTALLATION TIMING

- (a) Cycle the unit once (vent position closed, slide open, slide completely closed).

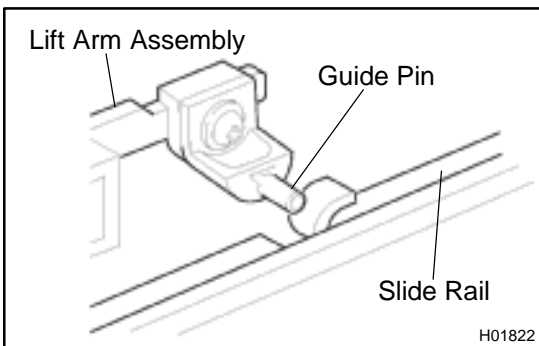
HINT:

After cycling the unit closed from the slide open position, verify the alignment holes in the cable arm and cam block are aligned and the motor pointers are in the "O" position.

The timing of the sliding roof is okay if the holes are within 1/2 a diameter of each other as shown when closed from the "side open" position.

NOTICE:

The holes will normally not align when moving the sliding roof from the vent open position to the closed position.

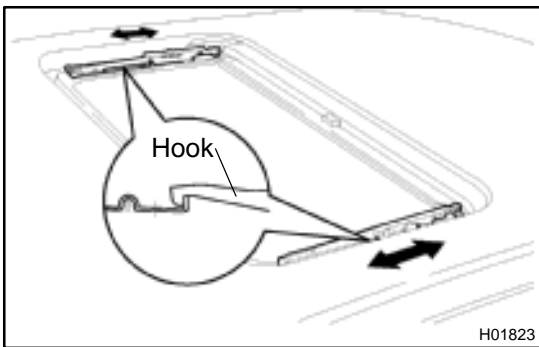


- (b) There should be a slight interference between the guide pin and the curved "lead-in" of the side rail. Confirm by cycling the unit. A clicking sound from the hook indicates the adjustment is incorrect.

If the guide pin has been disturbed, readjust as follows:

- (1) Loosen the screw and adjust the pin so there is a slight interference.
- (2) Tighten the screw and cycle the unit.
- (3) Confirm the hook smoothly engages the wind deflector spring.
- (4) Repeat if necessary.

7. REINSTALL GLASS PANEL



REASSEMBLY

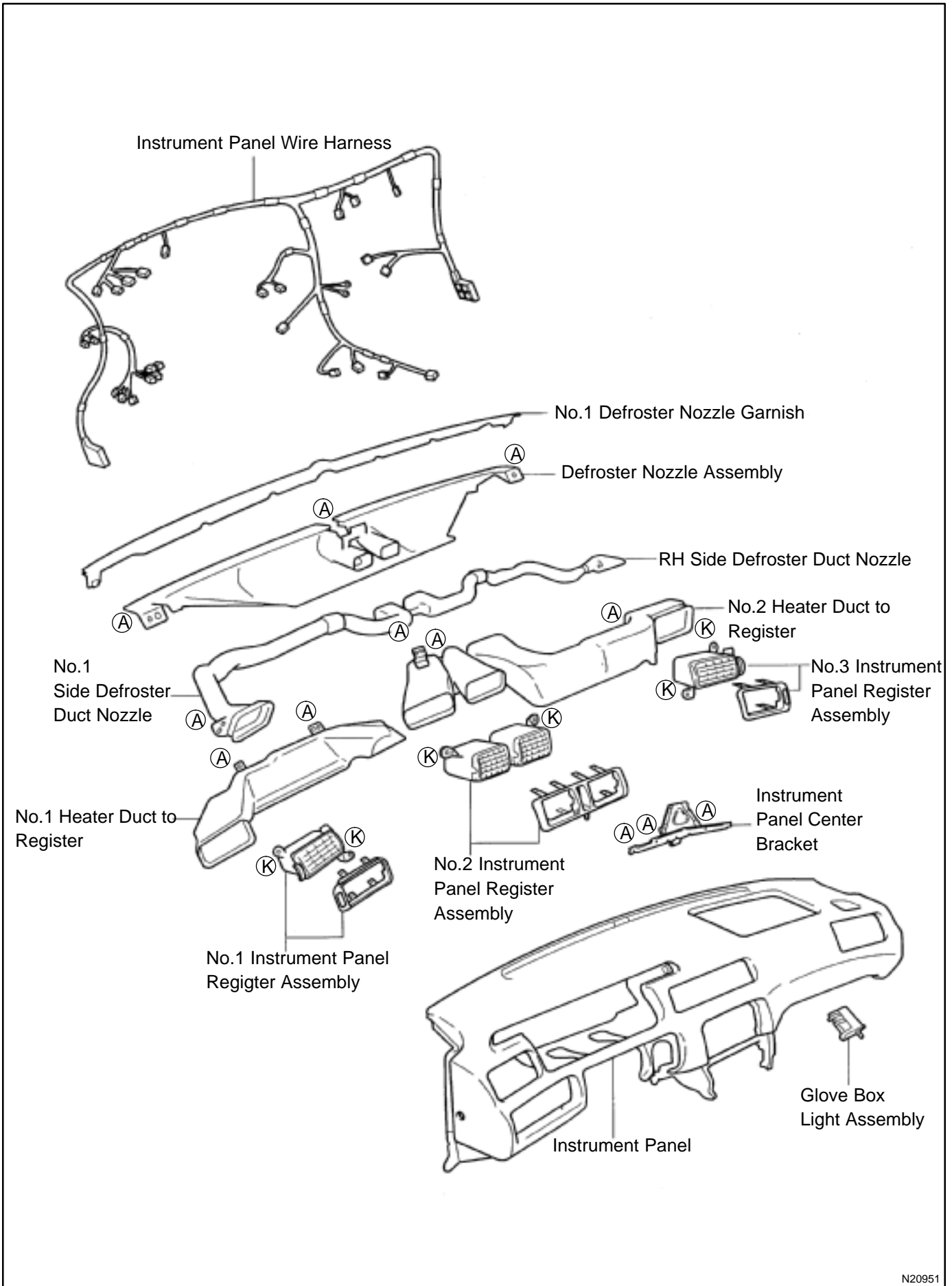
Reassembly is in the reverse order of disassembly (See page [BO-66](#)).

INSTALLATION

Installation is in the reverse order of removal (See page [BO-65](#)).

NOTICE:

Check and adjust the sliding roof after installation (See page [BO-62](#)).







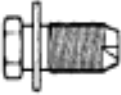











N20951

HINT:

Screw shapes and size are indicated in the table below. The code ("A"-"P") correspond to those indicated on the previous page.

mm (in.)

Code	Shape	Size	Code	Shape	Size	Code	Shape	Size
A		∅ = 5.2 (0.21) L = 16 (0.63)	B		∅ = 6.0 (0.24) L = 16 (0.63)	C		∅ = 6.0 (0.24) L = 20 (0.79)
D		∅ = 6.0 (0.24) L = 20 (0.79)	E		∅ = 5.0 (0.20) L = 10 (0.39)	F		∅ = 5.2 (0.21) L = 20 (0.79)
G		∅ = 8.0 (0.31) L = 22 (0.87)	H		∅ = 6.0 (0.24) L = 20 (0.79)	I		∅ = 6.0 (0.24) L = 20 (0.79)
J		∅ = 6.0 (0.24) L = 18 (0.79)	K		∅ = 5.0 (0.20) L = 14 (0.55)	L		∅ = 5.0 (0.20) L = 12 (0.47)
M		∅ = 8.0 (0.31) L = 18 (0.71)	N		8 x 1.25	O		6 x 1.00
P		6 x 1.00						

H01983

REMOVAL

1. REMOVE THESE PARTS:

HINT:

Tape a screwdriver tip before use.

- (a) Front door inside scuff plates
- (b) Cowl side trims
- (c) Front pillar garnishes
- (d) Front door opening covers
- (e) Lower finish plate

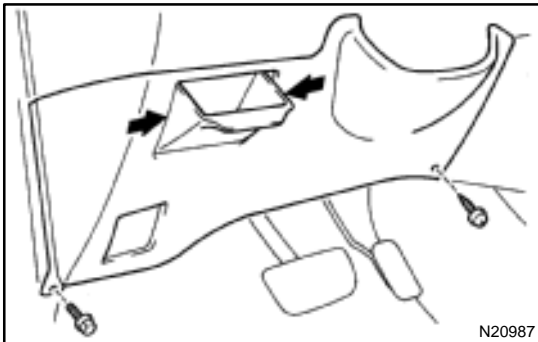
2. REMOVE STEERING WHEEL

(See page [SR-11](#))

3. REMOVE STEERING COLUMN COVERS

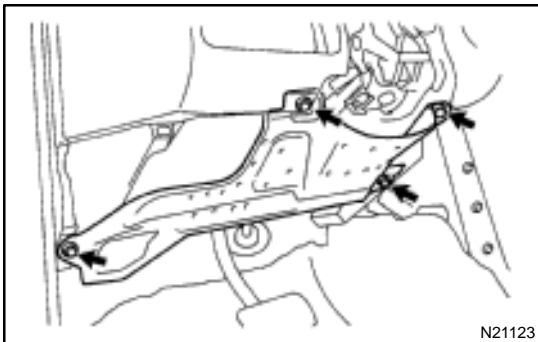
- (a) Remove the steering tilt handle.
- (b) Remove the 3 screws, then the upper and lower column covers.

4. REMOVE COMBINATION SWITCH



5. REMOVE No.1 LOWER PANEL

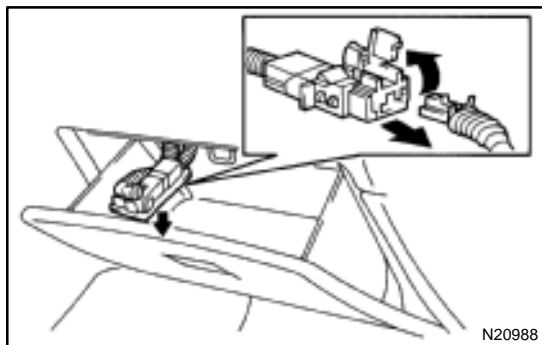
- (a) Remove the 2 screws and hood lock release lever.
- (b) Press on the sides of the coin box while pulling the coin box outward, and remove the coin box.
- (c) Remove the screw, bolt and the No.1 lower panel.



6. REMOVE LOWER PANEL INSERT

- (a) Remove the 2 screws holding the DLC3 to the LH lower panel.
- (b) Remove the 4 bolts, and the panel.

7. REMOVE No.2 LOWER COVER

**8. REMOVE GLOVE COMPARTMENT ASSEMBLY**

- (a) Using a screwdriver, remove the glove compartment door finish plate to the glove compartment box inside.

NOTICE:

When handling the airbag connector, be careful not to damage the airbag wire harness.

HINT:

Tape the screwdriver tip before use.

- (b) Pull up and disconnect the airbag connector.
 (c) Remove the 4 screws, bolt and glove compartment assembly.

9. REMOVE CENTER CONSOLE UPPER PANEL

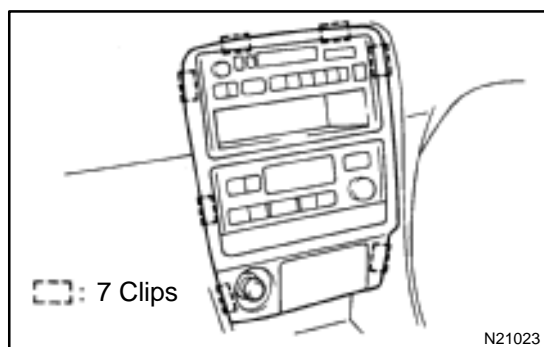
Using a screwdriver, remove the panel, then disconnect the connector.

HINT:

Tape the screwdriver tip before use.

10. REMOVE REAR CONSOLE BOX

Remove the 2 bolts, 2 screws and the console box.

**11. REMOVE CENTER CLUSTER FINISH PANEL**

Using a screwdriver, remove the panel, then disconnect the connector.

HINT:

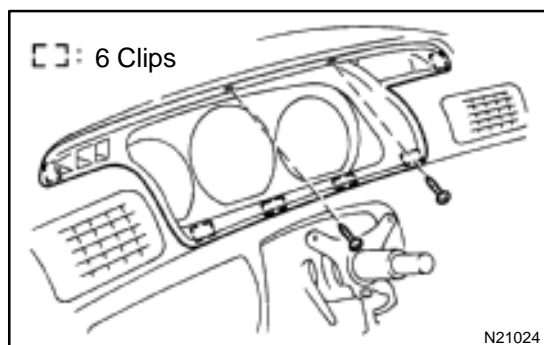
Tape the screwdriver tip before using.

12. REMOVE FRONT CONSOLE BOX

Remove the 2 screws and the front console box.

13. REMOVE RADIO ASSEMBLY**14. REMOVE A/C CONTROL ASSEMBLY**

(See page [AC-82](#))

15. REMOVE HAZARD WARNING SWITCH**16. REMOVE CLUSTER FINISH PANEL**

- (a) Remove the 2 screws.
 (b) Using a screwdriver, remove the panel.

HINT:

Tape the screwdriver tip before use.

17. REMOVE COMBINATION METER**18. REMOVE REMOTE CONTROL MIRROR HOLE BASE**



19. REMOVE FRONT PASSENGER AIRBAG ASSEMBLY (See page RS-28)

Remove the 2 bolts, 4 nuts and the front passenger airbag assembly.

Torque:

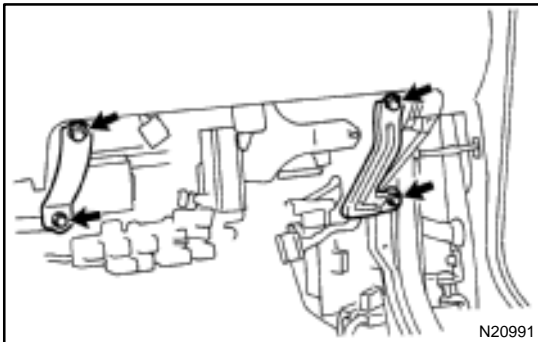
Bolt: 20 N·m (200 kgf·cm, 14 ft·lbf)

CAUTION:

- ◆ Store the front passenger airbag door facing upward (never downward).
- ◆ Never disassemble the front passenger airbag assembly.

NOTICE:

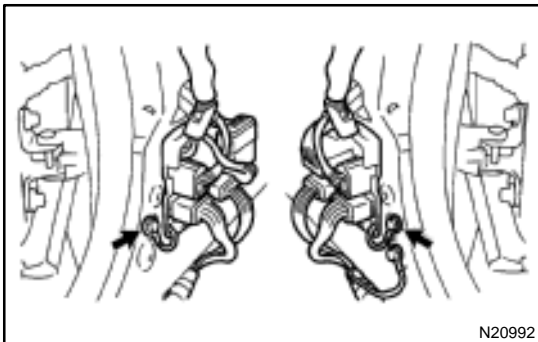
The 2 bolts to the instrument panel have been anti-rust treated. After removing the front passenger airbag assembly, always replace the bolts and nuts with new ones.



20. REMOVE No.1 AND No.2 INSTRUMENT PANEL BRACKETS

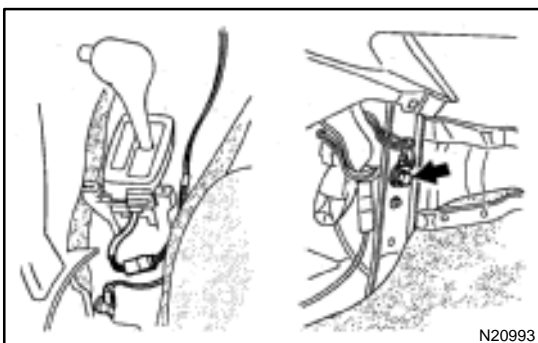
Remove the 4 bolts and the No.1 and No.2 panel brackets.

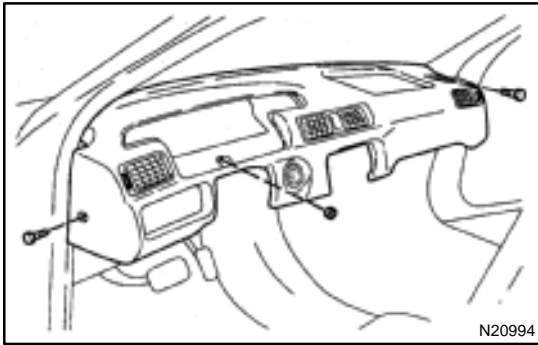
21. REMOVE NO.2 SIDE DEFROSTER NOZZLE



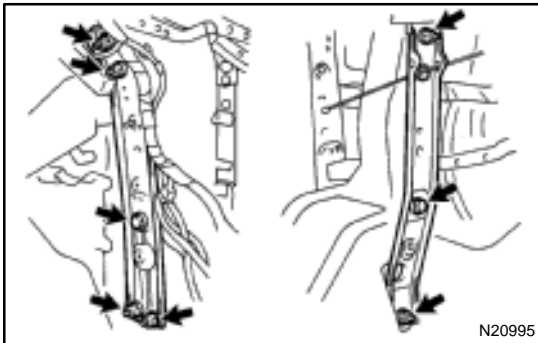
22. REMOVE INSTRUMENT PANEL ASSEMBLY

- (a) Disconnect the connectors from the LH and RH connector holders.
 - (b) Remove the bolts holding the ground wire to the body.
 - (c) Remove the connector holder from the body.
- (d) Disconnect the connectors.
 - (e) Remove the bolt holding the ground wire to the No.2 instrument panel brace.



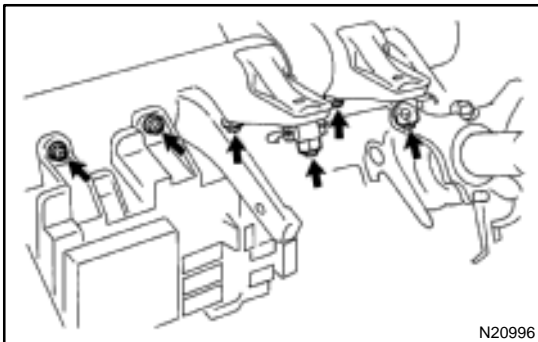


- (f) Remove the bolt, nut, screw and the instrument panel assembly.



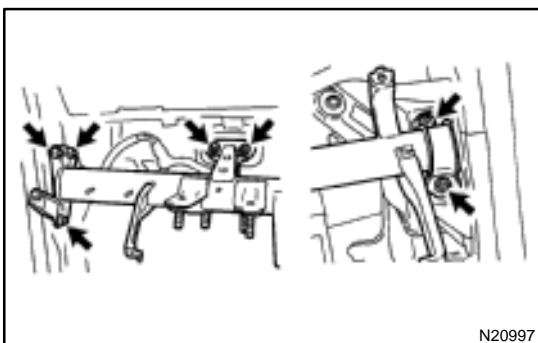
23. REMOVE INSTRUMENT PANEL BRACES

- (a) Remove the wire brackets and connector.
- (b) Remove the bolt and connector from the No.1 instrument panel brace.
- (c) w/ Wireless Control:
Remove the nut and the wireless control unit from the No.1 instrument panel brace.
- (d) Remove the nut holding the radio antenna to the No.2 instrument panel brace.
- (e) Remove a nut and brace mount bracket.
- (f) Remove the 6 nuts, 2 bolts and No.1 and No.2 instrument panel braces.



24. REMOVE INSTRUMENT PANEL REINFORCEMENT

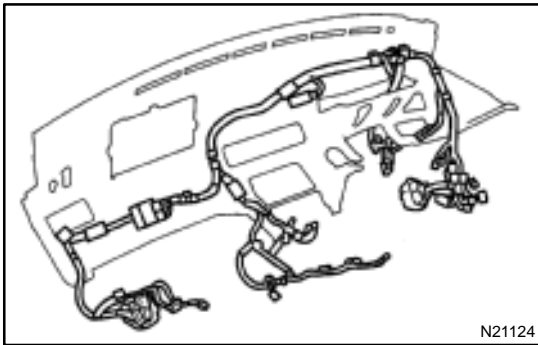
- (a) Remove the connectors from the steering column tube.
- (b) Remove the 4 wire brackets and connectors.
- (c) Remove the 2 nuts and bolt holding the No.1 Junction Box (J/B) to the reinforcement.
- (d) Remove the 4 nuts and the steering column from the reinforcement.
- (e) Remove the brake pedal spring from the reinforcement and brake pedal.



- (f) Remove the 4 nuts, 3 bolts and the reinforcement.

DISASSEMBLY

1. **REMOVE THESE PARTS:**
 - (a) No.1 defroster nozzle garnish
 - (b) No.1 defroster nozzle
 - (c) RH side defroster duct nozzle
 - (d) No.1 side defroster duct nozzle
 - (e) No.1 heater duct to register
 - (f) No.2 heater duct to register
 - (g) No.2 register assembly
 - (h) No.3 register assembly
 - (i) No.1 register assembly



2. **REMOVE INSTRUMENT PANEL WIRE HARNESS**
Remove the 2 brackets, 8 clips and wire harness.
3. **REMOVE INSTRUMENT PANEL CENTER BRACKET**
4. **REMOVE THESE PARTS:**
 - (a) Clock unit
 - (b) Glove box light assembly

REASSEMBLY

Reassembly is in the reverse order of disassembly (See page [BO-79](#)).

INSTALLATION

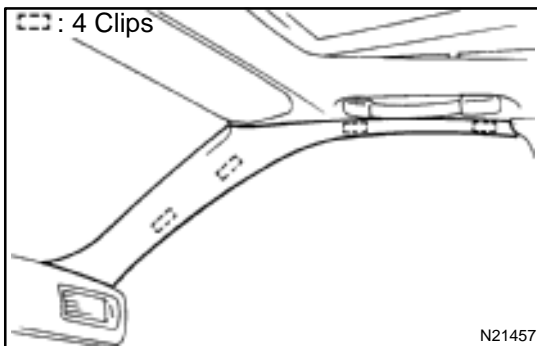
Reassembly is in the reverse order of removal (See page [BO-75](#)).

REMOVAL

1. REMOVE THESE PARTS:

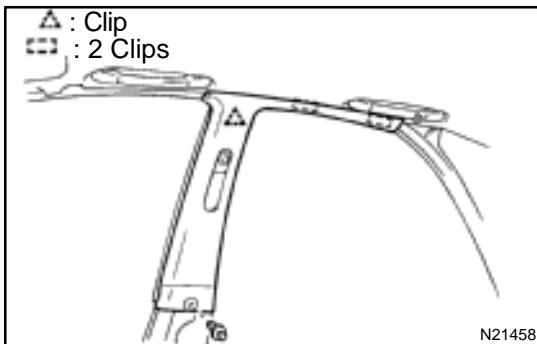
- (a) Rear seat cushion
- (b) Rear seatback and rear side seatbacks
- (c) Front door scuff plates
- (d) Front seat belt shoulder anchor bolts
- (e) Sun visor and holders
- (f) Assist grips
- (g) Front pillar garnishes
- (h) Rear door scuff plates
- (i) Lower center pillar garnishes

2. REMOVE ROOF SIDE INNER GARNISH (See page [BO-28](#))



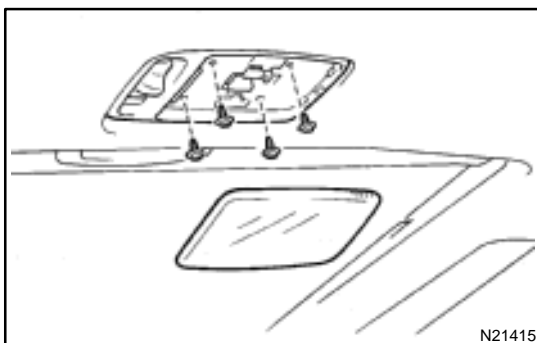
3. REMOVE FRONT PILLAR GARNISH

- (a) Pry out clips by your hand.
- (b) Pull the garnish upward to remove it.



4. REMOVE CENTER PILLAR GARNISH

- (a) Remove the clip.
- (b) Pry off the garnish.



5. REMOVE ROOM LIGHT

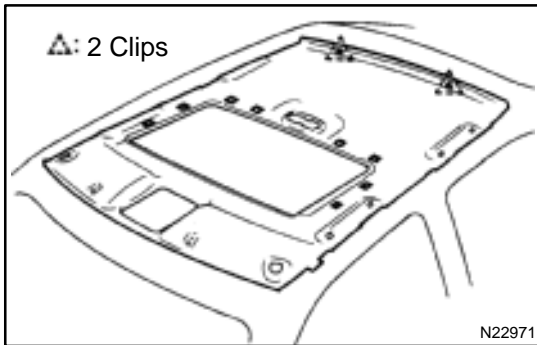
- (a) Using a screwdriver, remove the room light cover.

HINT:

Tape the screwdriver tip before use.

- (b) Remove the 4 screws, then disconnect the connector.

6. REMOVE MAP LIGHT ASSEMBLY

**7. REMOVE ROOF HEADLINING**

- (a) Remove the 2 clips from the roof panel rear end.
- (b) Remove the headlining.
- (c) Bring out the headlining.

INSTALLATION

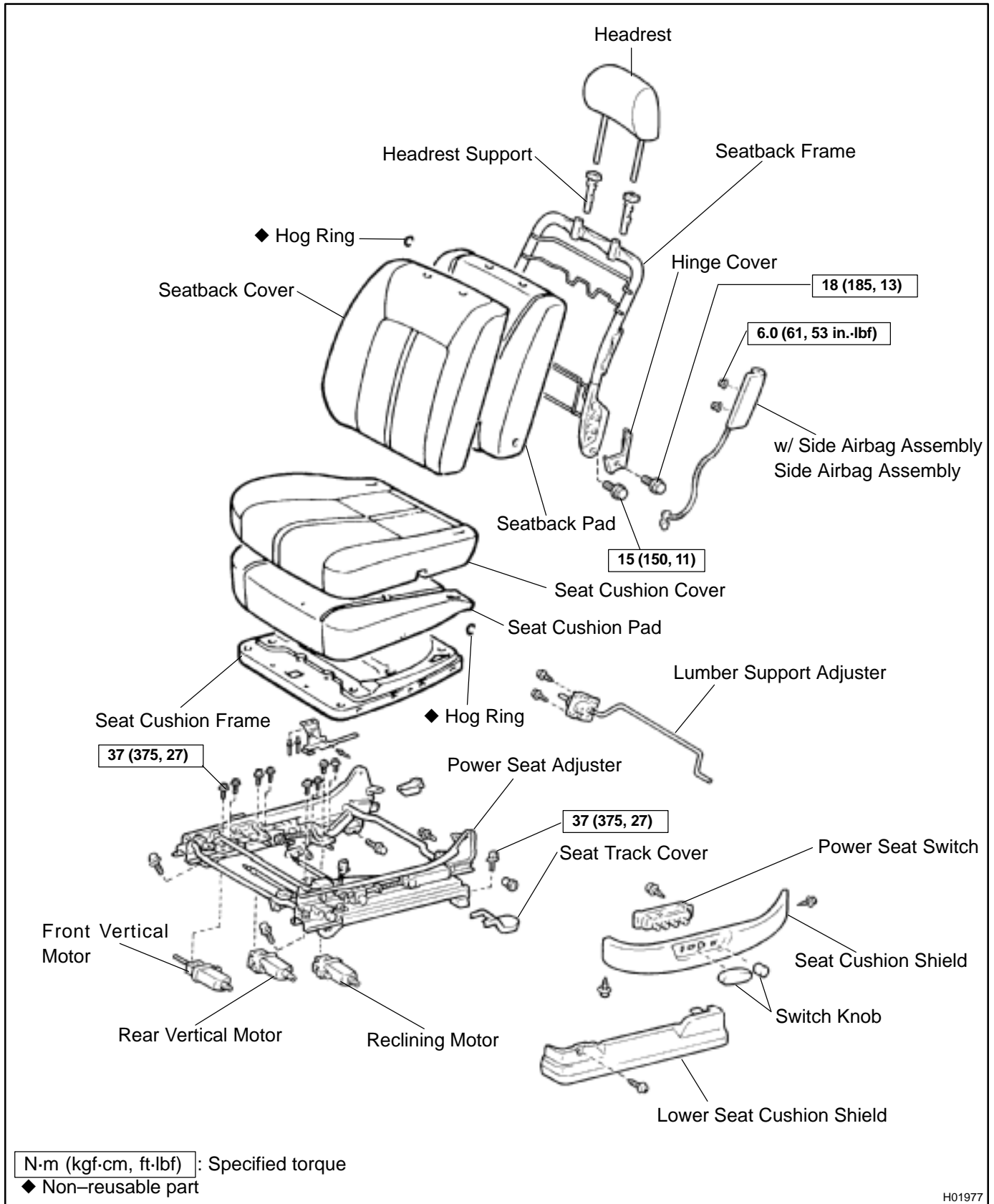
Installation is in the reverse order of removal (See page [BO-83](#)).

INSTALLATION

Installation is in the reverse order of removal (See page [BO-83](#)).

FRONT SEAT (Power Seat for TMC Made) COMPONENTS

B00MJ-01



H01977

REMOVAL

REMOVE FRONT SEAT

(a) Using a screwdriver, remove the seat track covers.

HINT:

Tape the screwdriver tip before use.

(b) Remove the 4 bolts.

(c) Disconnect the connector.

(d) Remove the front seat.

NOTICE:

Be careful not to damage the body.

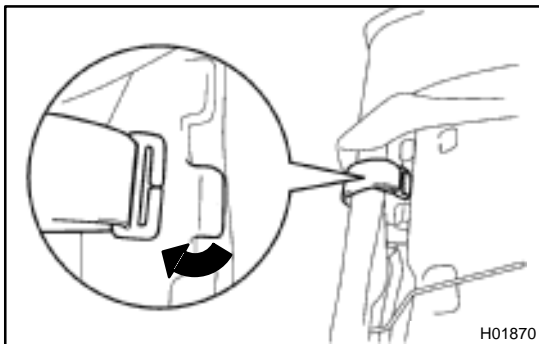
DISASSEMBLY

1. REMOVE THESE PARTS:

- (a) Headrest
- (b) Switch knobs
- (c) Seat cushion shield
- (d) Lower seat cushion shield
- (e) Power seat switch

2. REMOVE SEATBACK ASSEMBLY

- (a) Remove the 3 clips of the side airbag wire harness from the seat cushion frame.
- (b) Remove the 4 bolts and seatback assembly.



3. REMOVE SEATBACK COVER

- (a) Remove the hog rings and hooks.
- (b) Remove the hook as shown in the illustration.
- (c) Remove the headrest supports.
- (d) Remove the hog rings and seatback frame from seatback cover with pad.
- (e) Remove the hog rings and seatback cover from seatback pad.

4. REMOVE SIDE AIRBAG ASSEMBLY

Remove the 1 clip of side airbag wire harness, 2 nuts and side airbag assembly from the seatback frame.

CAUTION:

- ◆ Do not store the side airbag assembly with the airbag deployment direction facing down.
- ◆ Never disassemble the side airbag assembly.

5. REMOVE LUMBER SUPPORT ADJUSTER

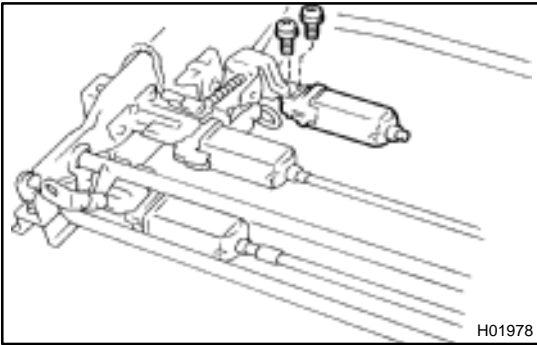
Remove the 2 screws and lumber support adjuster.

6. REMOVE SEAT CUSHION ASSEMBLY

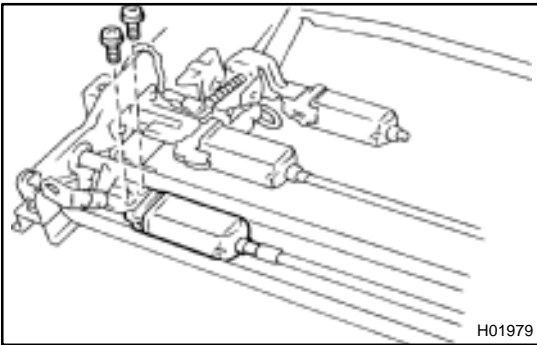
Remove the 4 bolts and seat cushion assembly.

7. REMOVE SEAT CUSHION COVER

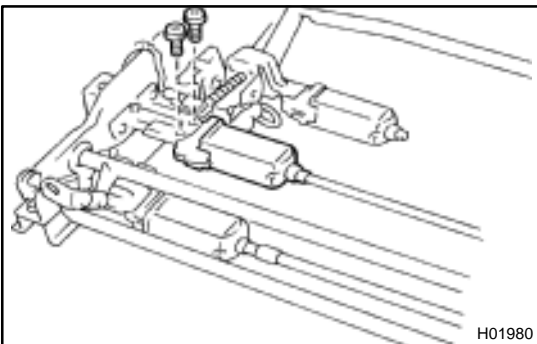
- (a) Remove the 2 clips, hook and seat cushion frame from seat cushion cover with pad.
- (b) Remove the hog rings and seat cushion cover from the seat cushion pad.

**8. REMOVE REAR VERTICAL MOTOR**

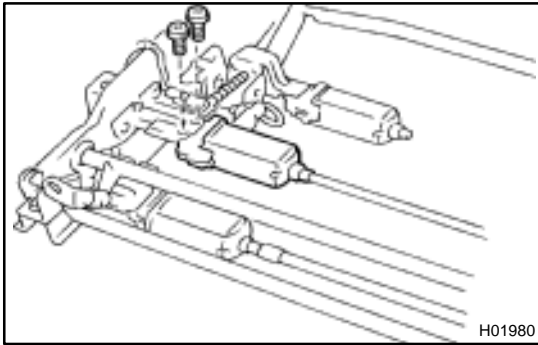
Remove the 2 screws and front vertical motor.

**9. REMOVE SLIDE MOTOR**

- (a) Remove the 2 screws.
- (b) Disconnect the No.1 drive cable, then remove the slide motor.

**10. REMOVE RECLINING MOTOR**

- (a) Remove the 2 screws.
- (b) Disconnect the No.2 drive cable, then remove the reclining motor.

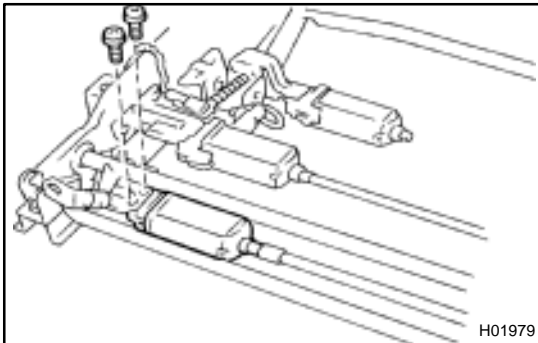


H01980

REASSEMBLY

1. INSTALL RECLINING MOTOR

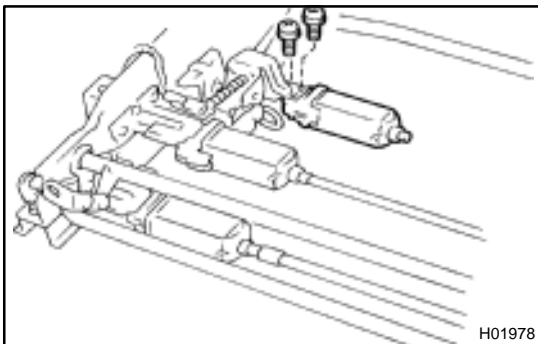
Connect the No.2 drive cable, then install the reclining motor with 2 screws.



H01979

2. INSTALL SLIDE MOTOR

Connect the No.1 drive cable, then install the slide motor with 2 screws.



H01978

3. INSTALL REAR VERTICAL MOTOR

Install the front vertical motor with 2 screws.

4. INSTALL LOWER SEAT CUSHION SHIELD

5. INSTALL SEAT CUSHION COVER

- (a) Install the seat cushion cover with new hog rings to seat cushion pad.
- (b) Install the seat cushion cover with pad to the seat cushion frame with hook and 2 clips.

HINT:

Install the hog rings to prevent wrinkles as least as possible.

6. INSTALL SEAT CUSHION ASSEMBLY

Install the seat cushion assembly with 4 bolts.

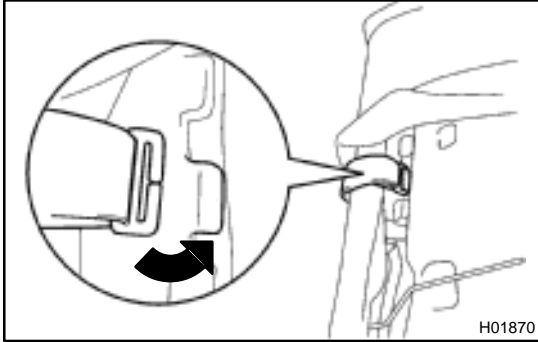
7. INSTALL SIDE AIRBAG ASSEMBLY

Install the side airbag assembly with 2 new nuts and 1 clip of side airbag wire harness to the seatback frame.

Torque: 6.0 N·m (61 N·m, 53 in.-lbf)

NOTICE:

- ◆ **Make sure that the side airbag assembly is installed to the specified torque.**
 - ◆ **If the side airbag assembly has been dropped, or there are cracks, dents or other defects in the case or connector, replace the side airbag assembly with a new one.**
8. **INSTALL SEATBACK COVER**
 - (a) Install the seatback cover with new hog rings to the seatback pad.
 - (b) Install the seatback cover with pad to the seatback frame with new hog rings.
 - (c) Install the headrest supports.



(d) Hang the hook onto the seatback frame.

CAUTION:

Take care to hung the hook securely. Otherwise the seat cover slides, it might cause incorrect deploying.

9. INSTALL SEATBACK ASSEMBLY

- (a) Install the seatback assembly with 4 bolts.
- (b) Install the 2 clips of the side airbag wire harness to the seat cushion frame.
- (c) Install a new hog rings and 7 hooks.

HINT:

Install the hog rings to prevent wrinkles as least as possible.

10. INSTALL THESE PARTS:

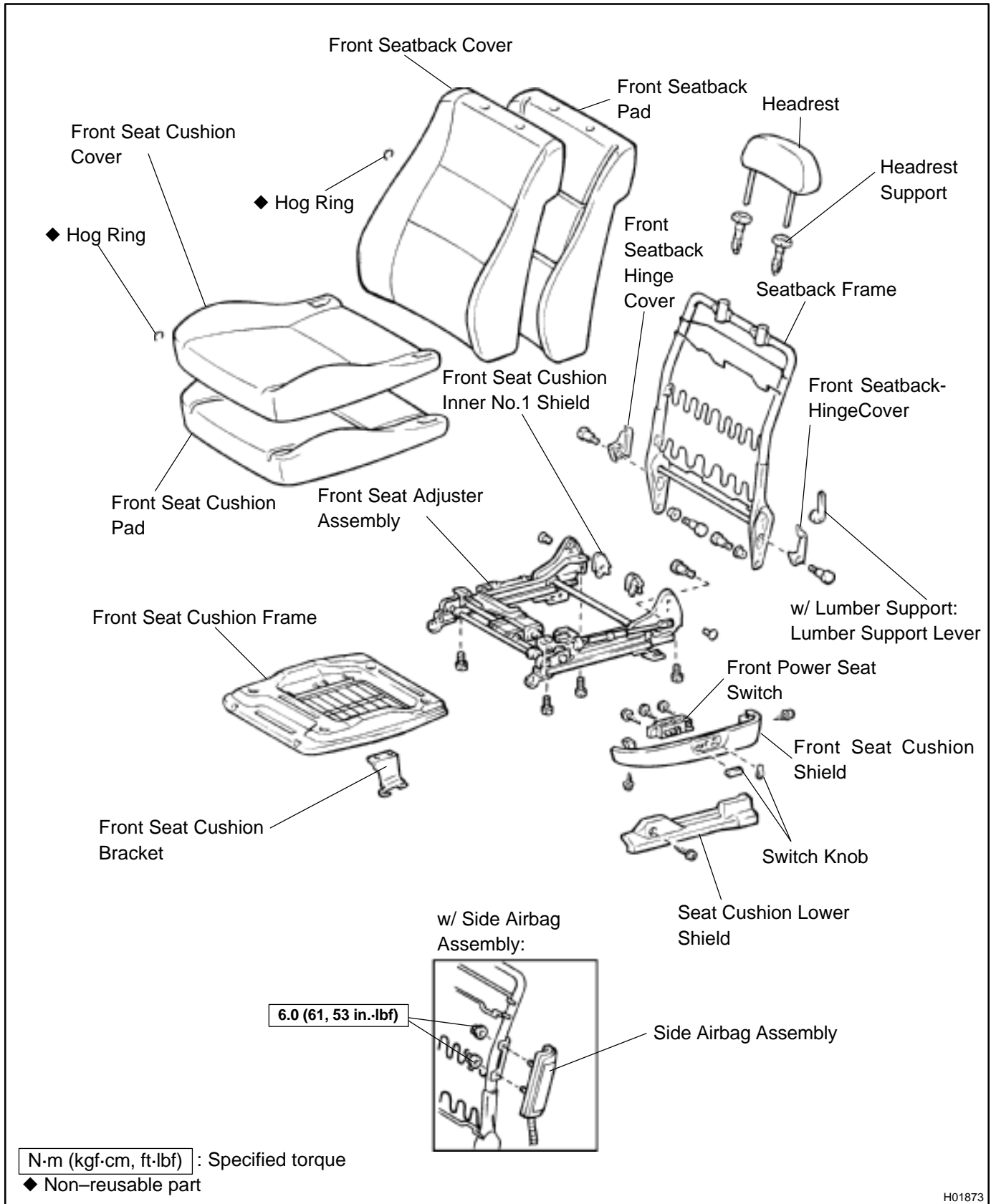
- (a) Power seat switch
- (b) Lower Seat cushion shield
- (c) Seat cushion shield
- (d) Switch knobs
- (e) Headrest

INSTALLATION

Installation is in the reverse order of removal (See page [BO-87](#)).

FRONT SEAT (Power Seat for TMMK Made) COMPONENTS

BO0MU-01



H01873

REMOVAL

REMOVE FRONT SEAT

(a) Using a screwdriver, remove the seat track covers.

HINT:

Tape the screwdriver tip before use.

(b) Remove the 4 bolts.

(c) w/ Side Airbag Assembly:
Disconnect the connector.

(d) Disconnect the front power seat connector.

(e) Remove the front seat.

NOTICE:

Be careful not to damage the body.

DISASSEMBLY

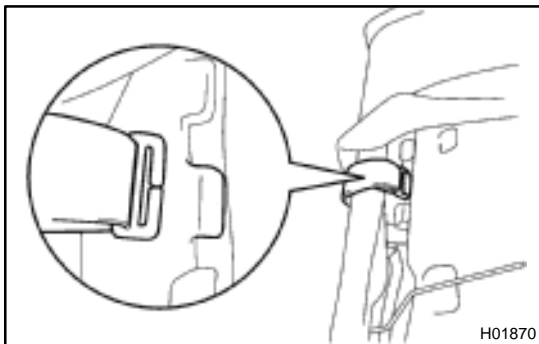
1. REMOVE THESE PARTS:

- (a) Switch knob
- (b) Front seat cushion shield
- (c) Front power seat switch
- (d) Seat cushion lower shield
- (e) w/ Lumber Support:
Lumber support lever
- (f) Headrest

(g) Front seat inner belt

2. REMOVE SEATBACK ASSEMBLY

- (a) w/ Side Airbag Assembly:
Remove the side airbag wire harness after removing clips.
- (b) Remove the hog rings.
- (c) Remove the bolts and front seatback hinge cover.
- (d) Remove the seatback assembly.



3. REMOVE SEATBACK COVER

- (a) w/ Side Airbag Assembly:
Remove the hook from the seatback frame.
- (b) Remove the headrest supports.
- (c) Remove the seatback frame from the seatback cover with pad.
- (d) Remove the seatback cover from the seatback pad.

4. w/ Side Airbag Assembly:

REMOVE SIDE AIRBAG ASSEMBLY

Remove the 2 nuts and side airbag assembly from the seatback frame.

CAUTION:

- ◆ Do not store the side airbag assembly with the airbag deployment direction facing down.
- ◆ Never disassemble the side airbag assembly.

5. REMOVE SEAT CUSHION ASSEMBLY

Remove the 4 bolts and seat cushion assembly from the seat adjuster.

6. REMOVE SEAT CUSHION COVER

- (a) Remove the seat cushion frame.
- (b) Remove the seat cushion cover from the seat cushion pad.

7. REMOVE THESE PARTS:

- (a) Front seat cushion inner No.1 shield
- (b) Front seat cushion bracket
- (c) Front seat cushion inner shield

REASSEMBLY

1. INSTALL THESE PARTS:

- (a) Front seat cushion inner shield
- (b) Front seat cushion bracket
- (c) Front seat cushion inner No.1 shield

2. INSTALL SEAT CUSHION COVER

- (a) Install the seat cushion cover to seat cushion pad.
- (b) Install the seat cushion cover with pad to the seat cushion frame.

3. INSTALL SEAT CUSHION ASSEMBLY

Install the seat cushion assembly with 4 bolts to the seat adjuster.

HINT:

Tighten the 4 bolts temporarily, then from the bolts on the rear side tighten completely.

4. w/ Side Airbag Assembly:

INSTALL SIDE AIRBAG ASSEMBLY

Install the side airbag assembly with 2 nuts to the seatback frame.

Torque: 6.0 N-m (61 kgf-cm, 53 in.-lbf)

NOTICE:

- ◆ Make sure that the side airbag assembly is installed to the specified torque.
- ◆ If the side airbag assembly has been dropped, or there are cracks, dents or other defects in the case or connector, replace the side airbag assembly with a new one.
- ◆ When installing the side airbag assembly, take care is not pinched between other parts.

5. INSTALL SEATBACK COVER

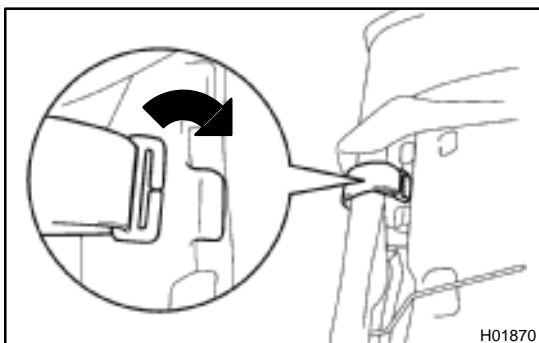
- (a) Install the seatback cover to the seatback pad.
- (b) Install the seatback cover with pad to the seatback frame.
- (c) Install the headrest supports.

(d) w/ Side Airbag Assembly:

Hang the hook on to the seatback frame.

CAUTION:

Take care to hung the hook securely. Otherwise the seat cove slides, it might cause incorrect deploying.



6. INSTALL SEATBACK ASSEMBLY

- (a) Install the seatback assembly with 4 bolts.

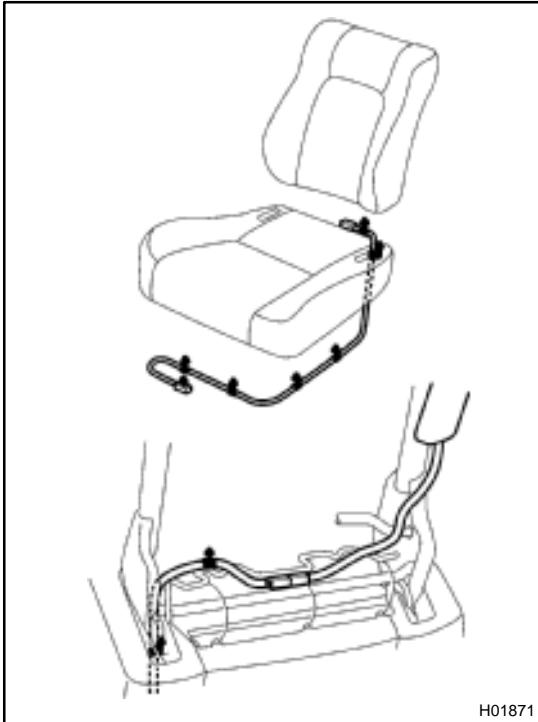
HINT:

Tighten the 4 bolts temporarily, then from the bolt on the front right side tighten completely.

- (b) Install Front Seatback hinge cover with bolts.
 (c) Install a new hog rings.

HINT:

Install the hog rings to prevent wrinkles as least as possible.



H01871

- (d) w/ Side Airbag Assembly:

Securely fix the side airbag wire harness to seat cushion by clips.

7. INSTALL THESE PARTS:

- (a) Front seat inner belt
 (b) Headrest
 (c) w/ Lumber Support:
 Lumber support lever
 (d) Seat cushion lower shield
 (e) Front power seat switch
 (f) Front seat cushion shield
 (g) Switch knob

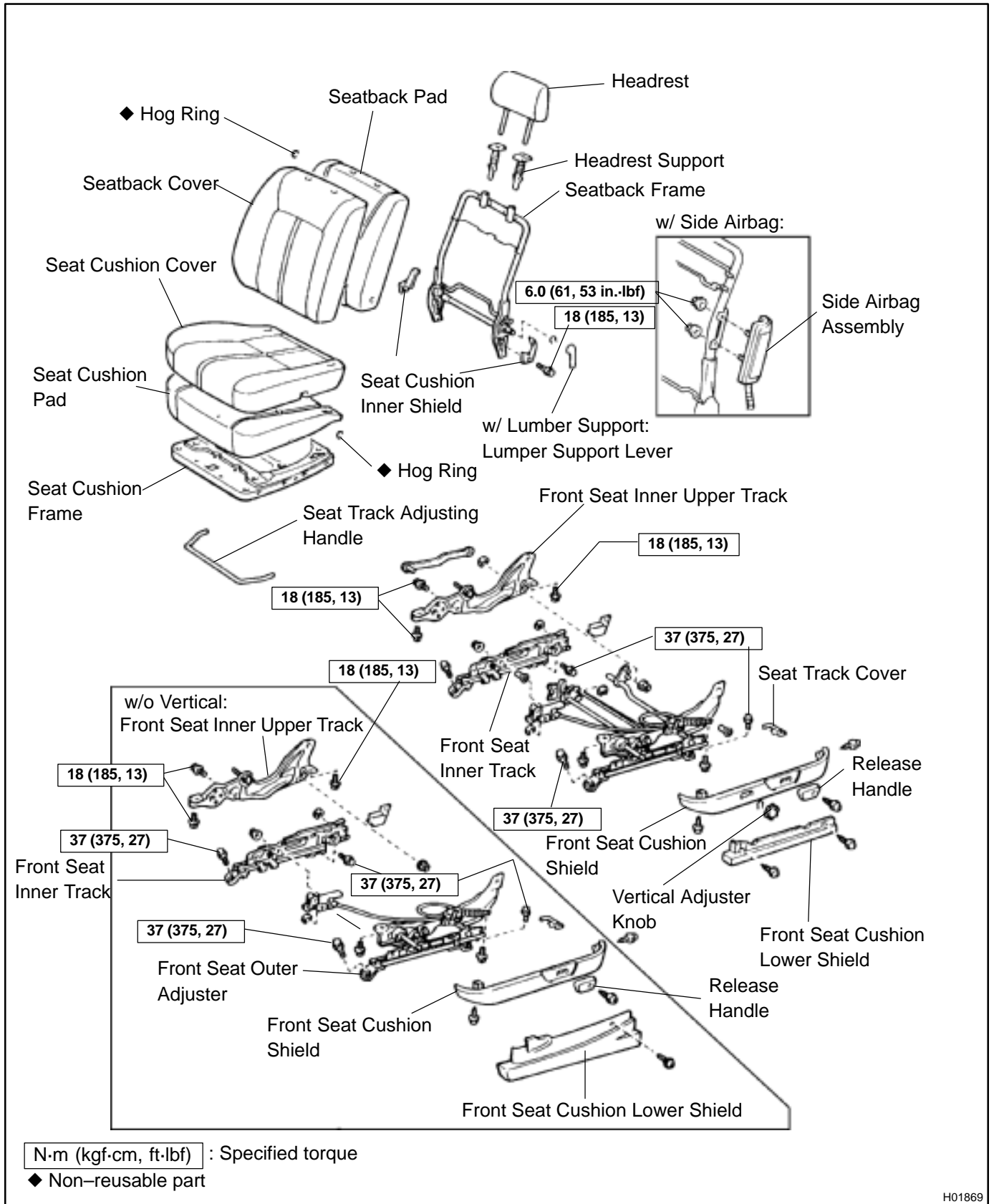
INSTALLATION

INSTALL FRONT SEAT

- (a) Mount the seat to the vehicle.
- (b) w/ Side Airbag:
Connect the connector.
- (c) Connect the front power seat connector.
- (d) Tighten the bolts on the rear side temporarily, from the bolt on the inner side tighten completely.
- (e) Slide the seat to the most rear position to install the bolts on the front side.

FRONT SEAT (Manual Seat for TMC Made) COMPONENTS

BO0M2-01



H01869

REMOVAL

REMOVE FRONT SEAT

(a) Using a screwdriver, remove the seat track outer cover.

HINT:

Tape the screwdriver tip before use.

(b) Remove the 4 bolts.

(c) w/ Side Airbag Assembly:
Disconnect the connector.

(d) Remove the front seat.

NOTICE:

Be careful not to damage the body.

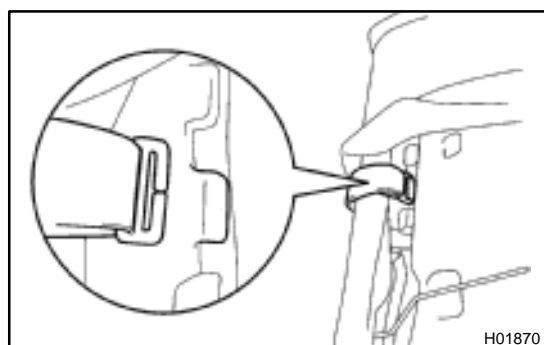
DISASSEMBLY

1. REMOVE THESE PARTS:

- (a) Release handle
- (b) Front seat cushion shield
- (c) Vertical Seat Adjuster:
Vertical adjuster knob
- (d) Front seat cushion lower shield
- (e) Seat cushion inner shield
- (f) w/ Lumber Support:
Lumber support lever
- (g) Headrest
- (h) Front seat inner belt

2. REMOVE SEATBACK ASSEMBLY

- (a) w/ Side Airbag Assembly:
Remove the side airbag wire harness after removing clips.
- (b) Remove the bolts and seatback assembly.



3. REMOVE SEATBACK COVER

- (a) Remove the hog rings.
- (b) w/ Side Airbag Assembly:
Remove the hook from the seatback frame.
- (c) Remove the headrest supports.
- (d) Remove the seatback frame from the seatback cover with pad.
- (e) Remove the seatback cover from the seatback pad.

4. w/ Side Airbag Assembly:

REMOVE SIDE AIRBAG ASSEMBLY

Remove the 1 clip of side airbag wire harness, 2 nuts and side airbag assembly from the seatback frame.

CAUTION:

- ◆ Do not store the side airbag assembly with the airbag deployment direction facing down.
- ◆ Never disassemble the side airbag assembly.

5. REMOVE SEAT CUSHION ASSEMBLY

Remove the 4 bolts and seat cushion assembly from the seat adjuster.

6. REMOVE SEAT CUSHION COVER

- (a) Remove the seat cushion frame.
- (b) Remove the seat cushion cover from the seat cushion pad.

7. REMOVE SEAT TRACK ADJUSTING HANDLE

Remove the seat track handle.

8. REMOVE FRONT SEAT OUTER ADJUSTER

Remove the E ring and front seat outer adjuster from the front seat inner track with upper track.

INSPECTION

INSPECT RECLINING LOCK POSITION AND SLIDING LOCK POSITION SLIPPING OFF

(a) When reclining the seat, inspect that the outer and inner tracks are released at the same time.

HINT:

When the reclining lock positions slip off, disassemble the seat to adjust the position.

(b) When sliding the seat, inspect that the outer and inner tracks are locked at the same time.

HINT:

When sliding lock positions slip off, loosen the bolts to adjust the position.

REASSEMBLY

1. Vertical Seat Adjuster:

INSTALL FRONT SEAT OUTER ADJUSTER

Install front seat outer adjuster to front seat inner adjuster with E ring, nuts and bolts.

2. w/o Vertical Seat Adjuster:

INSTALL FRONT SEAT OUTER AND INNER ADJUSTER

Install the adjusters to the seat cushion frame.

3. INSTALL SEAT TRACK ADJUSTING HANDLE

Install the seat track adjusting handle.

4. Vertical Seat Adjuster:

INSTALL SEAT CUSHION COVER

- (a) Install the seat cushion cover to seat cushion pad.
- (b) Install the seat cushion cover with pad to the seat cushion frame.

5. INSTALL SEAT CUSHION ASSEMBLY

Install the seat cushion assembly with 4 bolts to the seat adjuster.

HINT:

Tighten the 4 bolts temporarily, then from the bolts on the rear side tighten completely.

Torque: 18 N·m (185 kgf·cm, 13 ft·lbf)

6. w/ Side Airbag Assembly:

INSTALL SIDE AIRBAG ASSEMBLY

Install the side airbag assembly with new 2 nuts to the seatback frame.

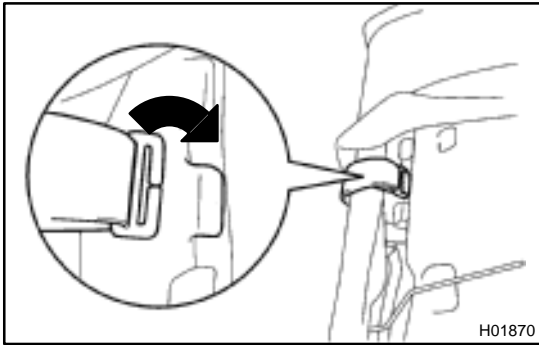
Torque: 6.0 N·m (61 kgf·cm, 53 in.-lbf)

NOTICE:

- ◆ **Make sure that the side airbag assembly is installed to the specified torque.**
- ◆ **If the side airbag assembly has been dropped, or there are cracks, dents or other defects in the case or connector, replace the side airbag assembly with a new one.**
- ◆ **When installing the side airbag assembly, take care is not pinched between other parts.**

7. INSTALL SEATBACK COVER

- (a) Install the seatback cover to the seatback pad.
- (b) Install the seatback cover with pad to the seatback frame.
- (c) Install the headrest supports.



- (d) w/ Side Airbag Assembly:
Hang the hook on to the seatback frame.

CAUTION:

Take care to hung the hook securely. Otherwise the seat cover slides, it might cause incorrect deploying.

8. INSTALL SEATBACK ASSEMBLY

- (a) Install the seatback assembly with bolts.
Torque: 18 N·m (185 kgf·cm, 13 ft·lbf)

- (b) Install new hog rings.

HINT:

Install the hog rings to prevent wrinkles as least as possible.

- (c) w/ Side Airbag Assembly:
Securely fix the side airbag wire harness to seat cushion and seatback by clips.

9. INSTALL THESE PARTS:

- (a) Front seat inner belt
(b) Headrest
(c) Lumber support lever
(d) Seat cushion inner shield
(e) Front seat cushion shield
(f) Vertical Seat Adjuster:
Vertical adjuster knob
(g) Front seat cushion lower shield
(h) Release handle

INSTALLATION

INSTALL FRONT SEAT

- (a) Slide the front seat to the most front position.

NOTICE:

Make sure that seat adjuster locks.

- (b) Without holding the seat track handle, mount the seat to the vehicle.

HINT:

If holding the seat track handle, the adjusted most front positions slip off.

- (c) Tighten the bolts on the rear side temporarily, from the bolt on the inner side tighten completely.

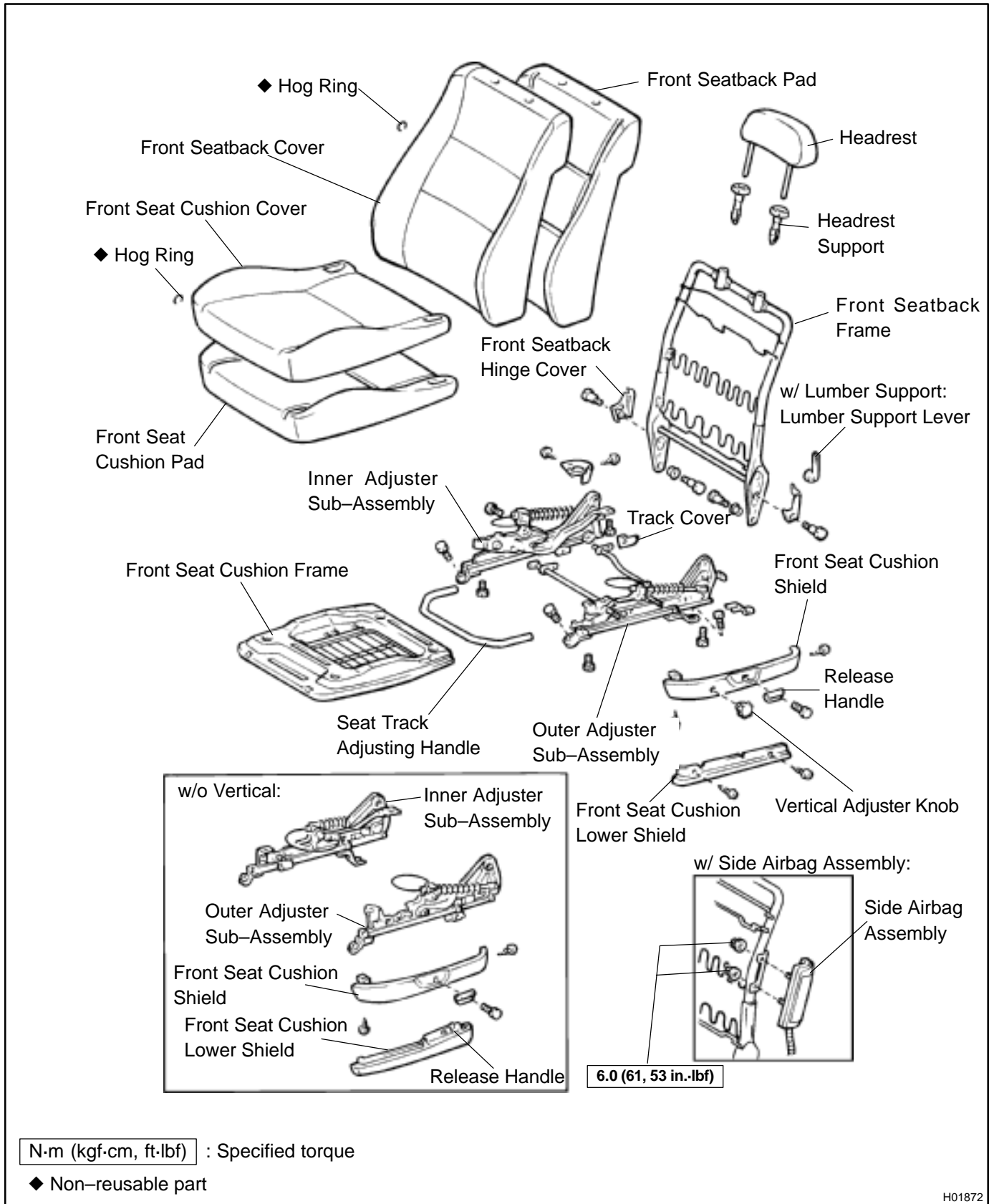
Torque: 37 N·m (375 kgf·cm, 27 ft·lbf)

- (d) Slide the seat to the most rear position to install the bolts on the front side.

Torque: 37 N·m (375 kgf·cm, 27 ft·lbf)

FRONT SEAT (Manual Seat for TMMK Made) COMPONENTS

BO0MO-01



H01872

REMOVAL

REMOVE FRONT SEAT

- (a) Using a screwdriver, remove the seat track covers.

HINT:

Tape the screwdriver tip before use.

- (b) Remove the 4 bolts.
(c) w/ Side Airbag Assembly:
 Disconnect the connector.
(d) Remove the front seat.

NOTICE:

Be careful not to damage the body.

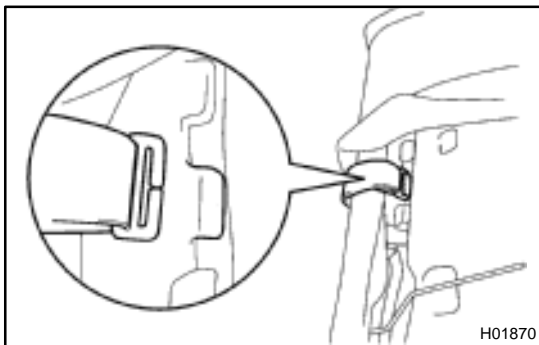
DISASSEMBLY

1. REMOVE THESE PARTS:

- (a) Release handle
- (b) Front seat cushion shield
- (c) Vertical Seat Adjuster:
Vertical adjuster knob
- (d) Front seat cushion lower shield
- (e) Front seatback hinge cover.
- (f) w/ Lumber Support:
Lumber support lever
- (g) Headrest
- (h) Front seat inner belt

2. REMOVE SEATBACK ASSEMBLY

- (a) w/ Side Airbag Assembly:
Remove the side airbag wire harness after removing clips.
- (b) Remove the hog rings.
- (c) Remove the bolts and seatback assembly.



3. REMOVE SEATBACK COVER

- (a) w/ Side Airbag Assembly:
Remove the hook from the seatback frame.
- (b) Remove the headrest supports.
- (c) Remove the seatback frame from the seatback cover with pad.
- (d) Remove the seatback cover from the seatback pad.

4. w/ Side Airbag Assembly:

REMOVE SIDE AIRBAG ASSEMBLY

Remove the 2 nuts and side airbag assembly from the seatback frame.

CAUTION:

- ◆ Do not store the side airbag assembly with the airbag deployment direction facing down.
- ◆ Never disassemble the side airbag assembly.

5. REMOVE SEAT CUSHION ASSEMBLY

Remove the 4 bolts and seat cushion assembly from the seat adjuster.

6. REMOVE SEAT CUSHION COVER

- (a) Remove the seat cushion frame.
- (b) Remove the seat cushion cover from the seat cushion pad.

7. REMOVE RECLINING CONNECTING PIPE

Remove the reclining connecting pipe.

8. REMOVE SEAT TRACK ADJUSTING HANDLE

Remove the seat track adjusting handle.

9. REMOVE OUTER ADJUSTER SUB-ASSEMBLY

Remove the outer adjuster sub-assembly from the inner adjuster sub-assembly.

INSPECTION

INSPECT RECLINING LOCK POSITION AND SLIDING LOCK POSITION SLIPPING OFF

(a) When reclining the seat, inspect that the outer and inner tracks are released at the same time.

HINT:

When the reclining lock positions slip off, disassemble the seat to adjust the position.

(b) When sliding the seat, inspect that the outer and inner tracks are locked at the same time.

HINT:

When sliding lock positions slip off, loosen the bolts to adjust the position.

REASSEMBLY

1. INSTALL OUTER ADJUSTER SUB-ASSEMBLY

Install the outer adjuster sub-assembly to the inner adjuster sub-assembly.

2. INSTALL SEAT ADJUSTING HANDLE

Install the seat track adjusting handle.

3. INSTALL RECLINING CONNECTING PIPE

- (a) Adjust the reclining lock positions of the seat adjusters.
- (b) Slide the seat adjusters to the most front position.
- (c) Place the adjusters on a spacer to adjust the seat rails in parallel and install the connecting pipe.

HINT:

When installing the connecting pipe with raising up the adjusters, the lock positions adjusted in 3-(a) step slip off, lock error will occur.

4. INSTALL SEAT CUSHION COVER

- (a) Install the seat cushion cover to seat cushion pad.
- (b) Install the seat cushion cover with pad to the seat cushion frame.

5. INSTALL SEAT CUSHION ASSEMBLY

Install the seat cushion assembly with 4 bolts to the seat adjuster.

HINT:

Tighten the 4 bolts temporarily, then from the bolts on the rear side tighten completely.

6. w/ Side Airbag Assembly:

INSTALL SIDE AIRBAG ASSEMBLY

Install the side airbag assembly with 2 nuts to the seatback frame.

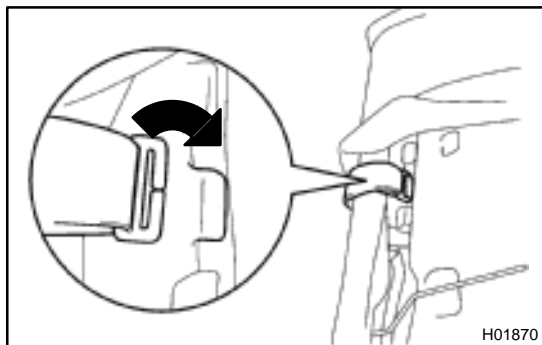
Torque: 6.0 N·m (61 kgf·cm, 53 in.-lbf)

NOTICE:

- ◆ **Make sure that the side airbag assembly is installed to the specified torque.**
- ◆ **If the side airbag assembly has been dropped, or there are cracks, dents or other defects in the case or connector, replace the side airbag assembly with a new one.**
- ◆ **When installing the side airbag assembly, take care is not pinched between other parts.**

7. INSTALL SEATBACK COVER

- (a) Install the seatback cover to the seatback pad.
- (b) Install the seatback cover with pad to the seatback frame.
- (c) Install the headrest supports.



- (d) w/ Side Airbag Assembly:
Hang the hook on to the seatback frame.

CAUTION:

Take care to hung the hook securely. Otherwise the seat cover slides, it might cause incorrect deploying.

8. INSTALL SEATBACK ASSEMBLY

- (a) Install the seatback assembly with 4 bolts.

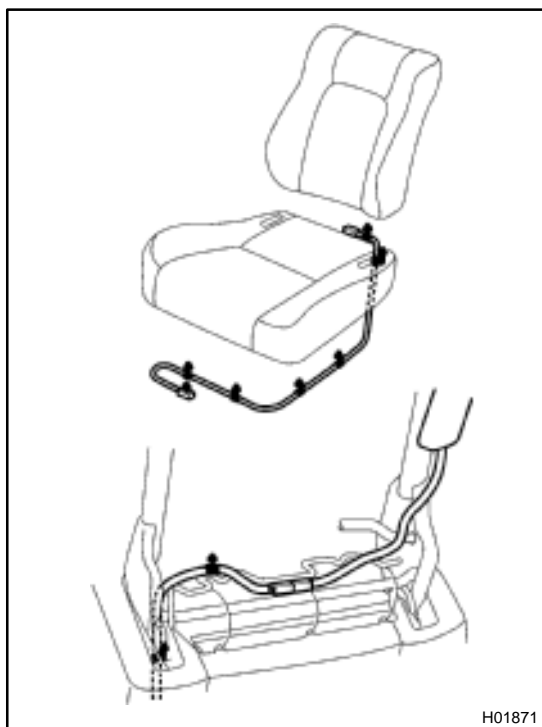
HINT:

Tighten the 4 bolts temporarily, then from the bolt on the front right side tighten completely.

- (b) Install a new hog rings.

HINT:

Install the hog rings to prevent wrinkles as least as possible.



- (c) w/ Side Airbag Assembly:
Securely fix the side airbag wire harness to seat cushion by clips.

9. INSTALL THESE PARTS:

- (a) Front seat inner belt
(b) Headrest
(c) w/ Lumber Support:
Lumber support lever
(d) Front seatback hinge cover
(e) Front seat cushion lower shield
(f) Vertical Seat Adjuster:
Vertical adjuster knob
(g) Front seat cushion shield
(h) Release handle

INSTALLATION

INSTALL FRONT SEAT

(a) Slide the front seat to the most front position.

NOTICE:

Make sure that seat adjuster locks.

(b) Without holding the seat track handle, mount the seat to the vehicle.

HINT:

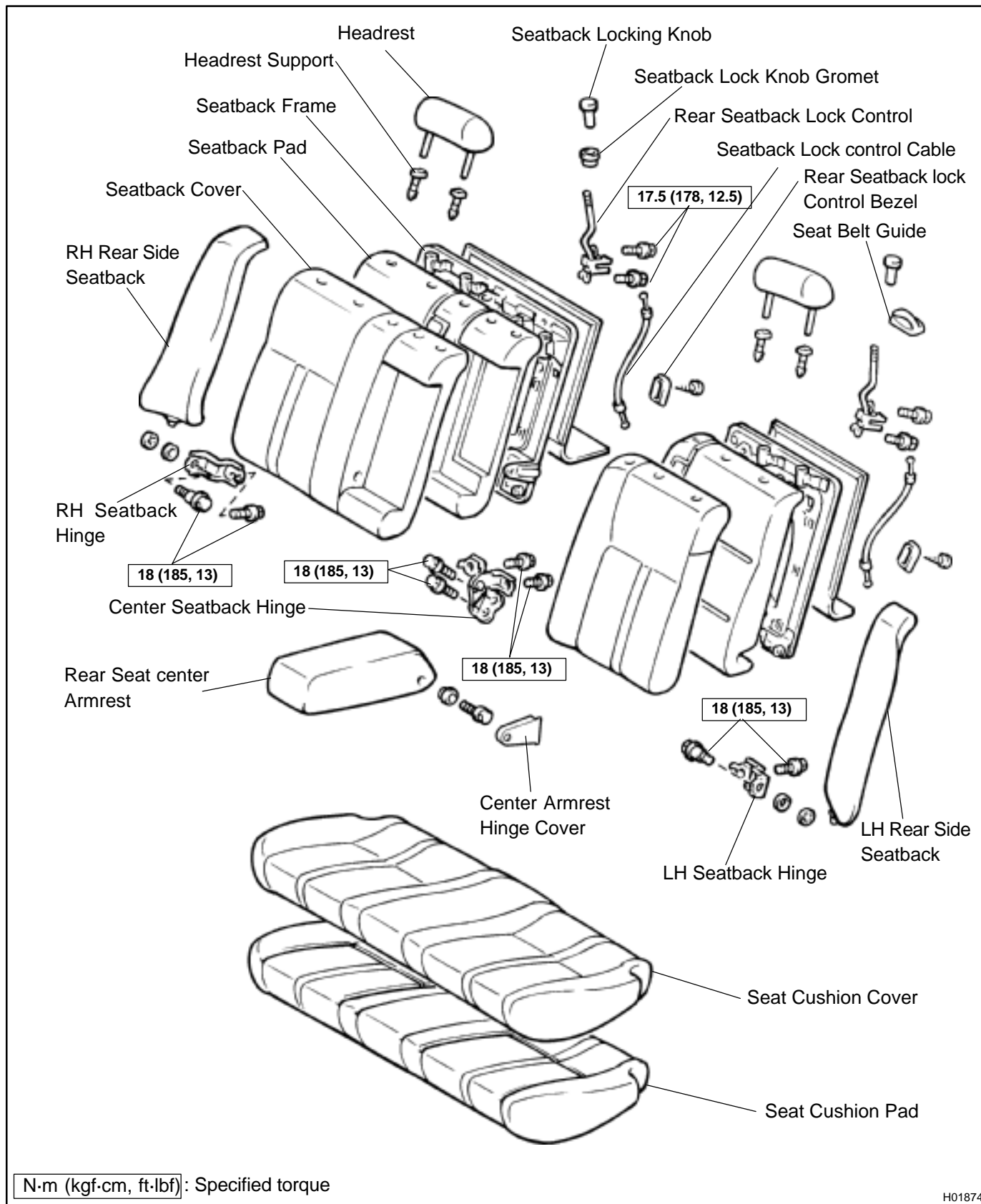
If holding the seat track handle, the adjusted most front positions slip off.

(c) Tighten the bolts on the rear side temporarily, from the bolt on the inner side tighten completely.

(d) Slide the seat to the most rear position to install the bolts on the front side.

REAR SEAT (TMC Made) COMPONENTS

BO0NA-01



H01874

REMOVAL

1. REMOVE LH SEATBACK ASSEMBLY

- (a) Release lock to lean the seat back to front.
- (b) Remove the clips.
- (c) Remove the 2 bolts and LH seatback assembly.

2. REMOVE RH SEAT BACK ASSEMBLY

- (a) Release lock to lean the seatback to front.
- (b) Remove the clips.
- (c) Remove the 2 bolts and RH seatback assembly.

3. REMOVE SEAT CUSHION ASSEMBLY

- (a) Remove the seat cushion assembly.

HINT:

Remove the rear seat inner with center belt from seat cushion slit to remove the seat cushion.

- (b) Remove the 2 lock hooks.

4. REMOVE LH AND RH REAR SIDE SEATBACK

- (a) Remove the bolt and LH rear side seatback.
- (b) Remove the bolt and RH rear side seatback.

5. REMOVE SEATBACK HINGE

- (a) Remove the bolts and LH seatback hinge and RH seatback hinge.
- (b) Remove the 2 bolts and center seatback hinge.

Torque: 18 N·m (185 kgf·cm, 13 ft·lbf)

DISASSEMBLY

1. REMOVE SEAT CUSHION COVER

Remove the hog rings and seat cushion cover from the seat cushion pad.

2. REMOVE THESE PARTS:

HINT:

Remove the clips to turn over the seatback cover before performing the following steps.

- (a) Headrest
- (b) Rear seatback lock control Bezel.
- (c) Rear seatback Board
- (d) Headrest supports
- (e) Seatback locking knob
- (f) Seatback lock knob Gromet
- (g) Rear seat center armrest

3. REMOVE SEATBACK COVER

- (a) Remove the hog rings and seatback frame from the seatback cover with pad.
- (b) Remove the hog rings and seatback cover from the seatback pad.

4. REMOVE SEATBACK LOCK

- (a) Remove the rear seatback lock control cable.
- (b) Remove the 2 bolts and rear seatback lock control.

Torque: 17.5 N·m (178 kgf·cm, 12.5 ft·lbf)

REASSEMBLY

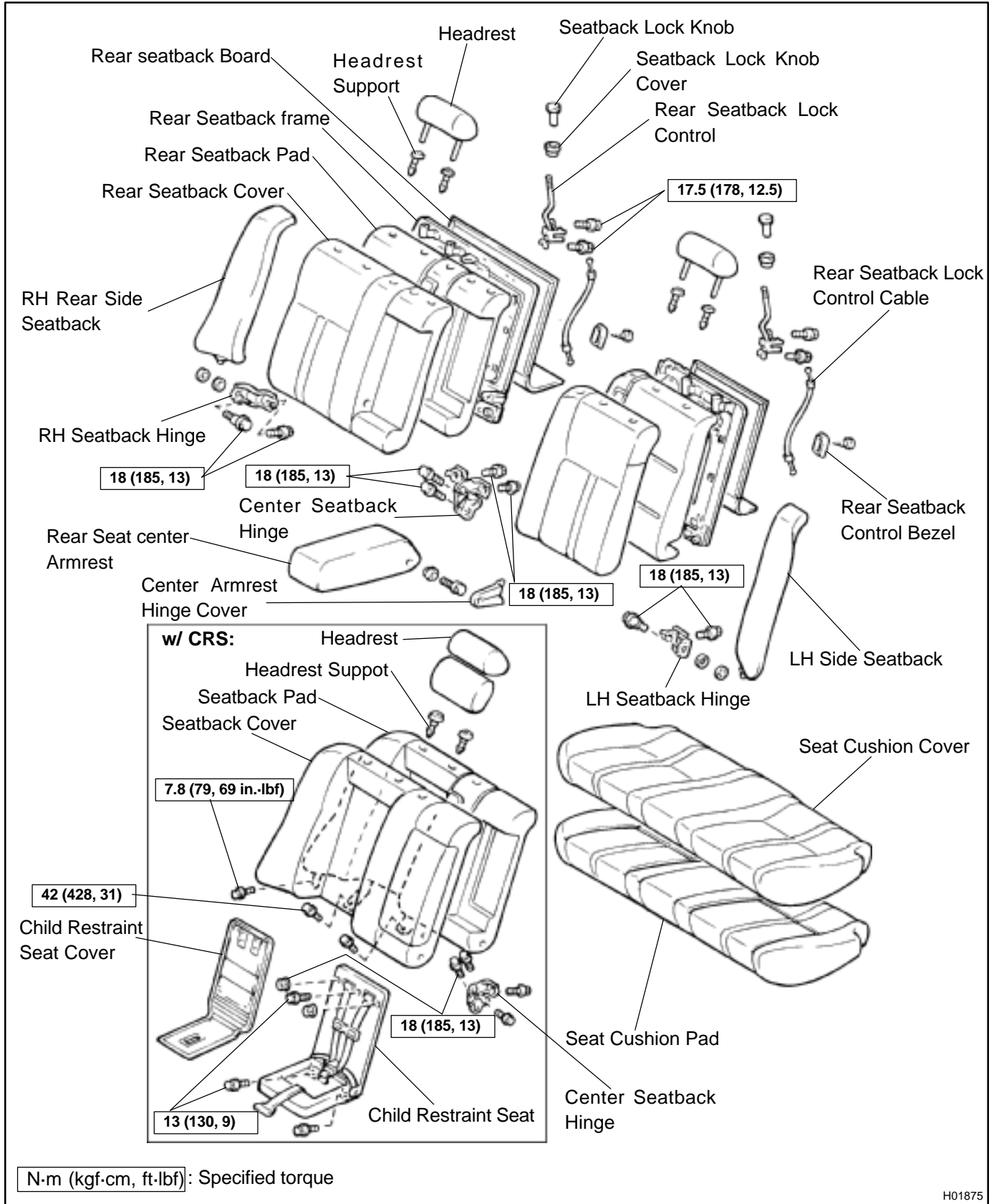
Reassembly is in the reverse order of disassembly (See page [BO-115](#)).

INSTALLATION

Installation is in the reverse order of removal (See page [BO-114](#)).

REAR SEAT (TMMK Made) COMPONENTS

BO0N5-01



H01875

REMOVAL

1. REMOVE SEAT CUSHION ASSEMBLY

- (a) Remove the seat cushion assembly.

HINT:

Remove the rear seat inner with center belt from seat cushion slit to remove the seat cushion.

- (b) Remove the 2 lock hooks.

2. REMOVE LH SEATBACK ASSEMBLY

- (a) Release lock to lean the seatback to front.
- (b) Remove the 2 bolts and LH seatback assembly.

3. w/ CRS:

REMOVE CHILD RESTRAINT SEAT

- (a) Remove child restraint seat cover.
- (b) Remove the 3 bolts and 2 nuts.

Torque: 13 N·m (130 kgf·cm, 9 ft·lbf)

- (c) Remove the child restraint seat.

4. w/o CRS:

REMOVE RH SEATBACK ASSEMBLY

- (a) Release lock to lean the seatback to front.
- (b) Remove the clips.
- (c) Remove the bolts and RH seatback assembly.

5. w/ CRS:

REMOVE RH SEATBACK ASSEMBLY

- (a) Remove the 3 bolts.

Torque:

RH bolt: 7.8 N·m (80 kgf·cm, 69 in.-lbf)

Center bolt: 42 N·m (428 kgf·cm, 31 ft·lbf)

- (b) Remove the RH seatback assembly.

6. REMOVE LH AND RH REAR SIDE SEATBACK

- (a) Remove the bolt and LH rear side seatback.
- (b) Remove the bolt and RH rear side seatback.

7. REMOVE SEATBACK HINGE

- (a) Remove the bolt and LH seatback hinge.
- (b) Remove the 2 bolts and center seatback hinge.

Torque: 18 N·m (185 kgf·cm, 13 ft·lbf)

- (c) w/o CRS:

Remove the bolt and RH seatback hinge.

Torque: 18 N·m (185 kgf·cm, 13 ft·lbf)

DISASSEMBLY

1. REMOVE SEAT CUSHION COVER

Remove the hog rings and seat cushion cover from the seat cushion pad.

2. REMOVE THESE PARTS:

HINT:

Remove the clips to turn over the seatback cover before performing the following steps.

- (a) Headrest
- (b) Rear seatback control Bezel
- (c) Headrest supports
- (d) Seatback lock knob
- (e) Seatback lock knob cover
- (f) Rear seat center armrest

3. REMOVE SEATBACK COVER

- (a) Remove the hog rings and seatback frame from the seatback cover with pad.
- (b) Remove the hog rings and seatback cover from the seatback pad.

4. REMOVE SEATBACK LOCK

- (a) Remove the rear seatback lock control cable.
- (b) Remove the 2 bolts and rear seatback lock control.

Torque: 17.5 N-m (178 kgf-cm, 12.5 ft-lbf)

REASSEMBLY

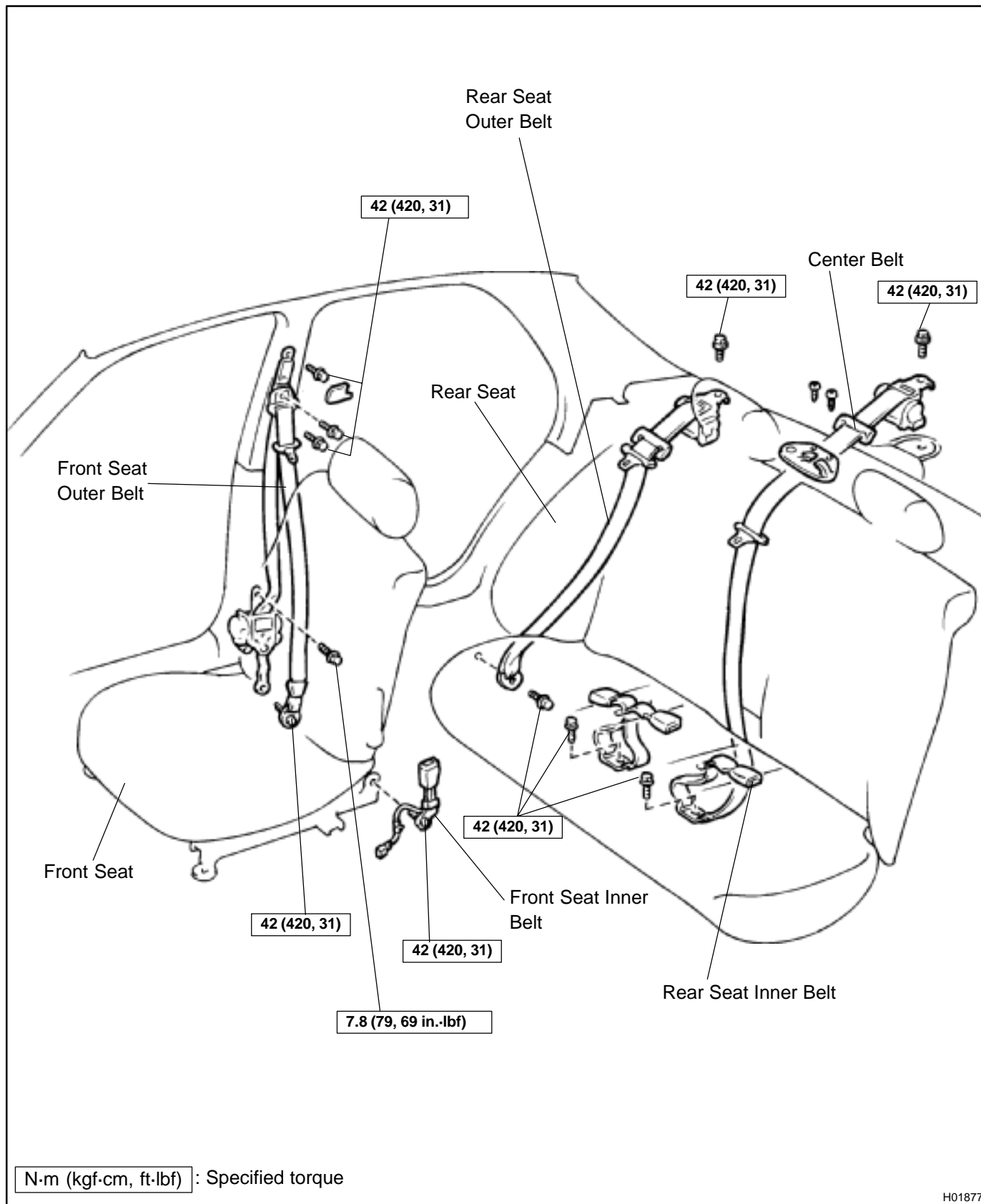
Reassembly is in the reverse order of disassembly (See page [BO-120](#)).

INSTALLATION

Installation is in the reverse order of removal (See page [BO-119](#)).

SEAT BELT COMPONENTS

BO0NF-01



H01877

INSPECTION

CAUTION:

Replace the seat belt assembly (outer belt, inner belt, bolts, nuts or sill-bar) if it has been used in a severe impact. The entire assembly should be replaced even if damage is not obvious.

1. All Seat Belt:

RUNNING TEST (IN SAFE AREA)

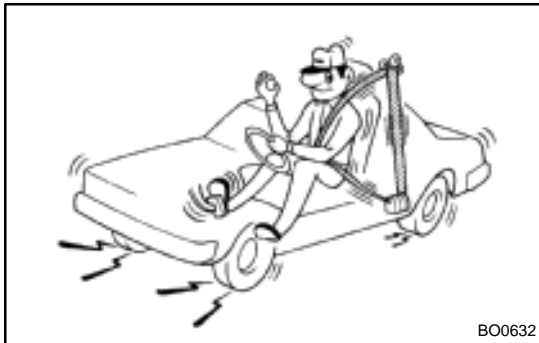
- (a) Fasten the front seat belts.
- (b) Drive the car at 10 mph (16 km/h) and slam on the brakes. Check that the belt locks and cannot be extended at this time.

HINT:

Conduct this test in a safe area. If the belt does not lock, remove the belt mechanism assembly and conduct the following static check. Also, whenever installing a new belt assembly, verify the proper operation before installation.

2. Driver's Seat Belt (ELR): STATIC TEST

- (a) Make sure that the belt locks when pulled out quickly.
- (b) Remove the locking retractor assembly.
- (c) Tilt the retractor slowly.



- (d) Make sure that the belt can be pulled out at a tilt of 15 degrees or less, and cannot be pulled out over 45 degrees of tilt.

If a problem is found, replace the assembly.

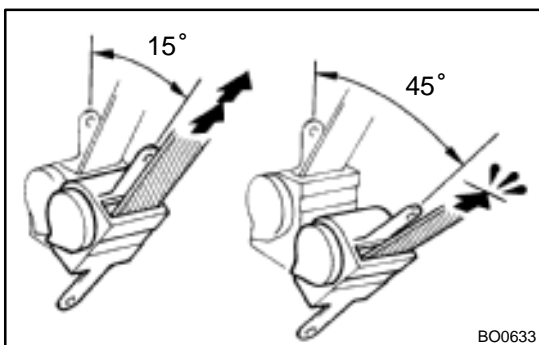
3. Front RH Seat Belt and Rear Seat Belt (ALR/ELR): STATIC TEST

- (a) Make sure that the belt locks when pulled out quickly.
- (b) Remove the locking retractor assembly.
- (c) Pull out the whole belt and measure the length of the whole belt.

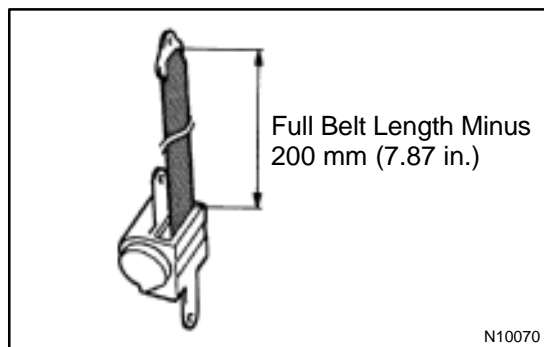
Then retract the belt slightly and pull it out again

- (d) Make sure that the belt cannot be extended further.

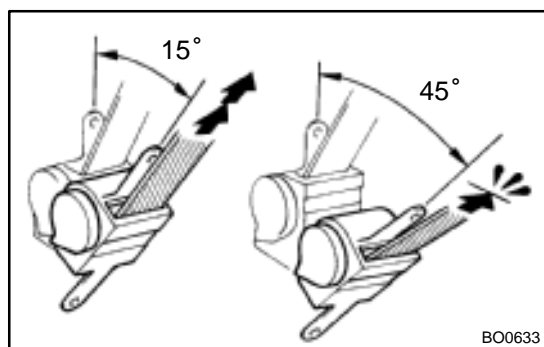
If a problem is found, replace the assembly.



BODY - SEAT BELT



- (e) Retract the whole belt, then pull out the belt until 200 mm (7.87 in.) of belt remains retracted.
- (f) Tilt the retractor slowly.



- (g) Make sure that the belt can be pulled out at a tilt of 15 degrees or less, and cannot be pulled out at over 45 degrees of tilt.
- If a problem is found, replace the assembly.

SEAT BELT PRETENSIONER REMOVAL

BOONH-01

NOTICE:

- ◆ If the wiring connector of the supplemental restraint system is disconnected with the ignition switch at ON or ACC, diagnostic trouble codes will be recorded.
- ◆ Never use SRS parts from another vehicle. When replacing parts, replace them with new parts.

1. REMOVE THESE PARTS:

- (a) Front door scuff plate
- (b) Center pillar lower garnish

2. REMOVE FRONT SEAT OUTER BELT**CAUTION:**

Never disassemble the front seat outer belt.

NOTICE:

When removing the front outer seat belt, take care not to pull the seat belt pretensioner wire harness.

- (a) Remove the bolts and floor anchor.
- (b) Using a screwdriver, remove the anchor caps.

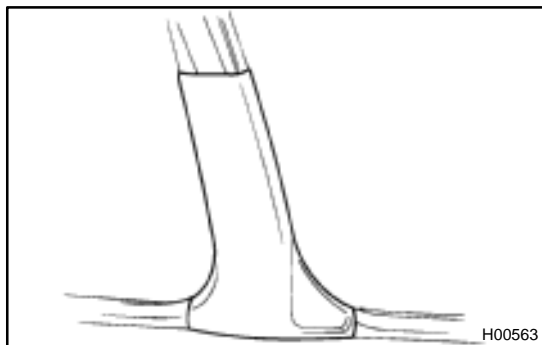
HINT:

Tape the screwdriver tip before use.

- (c) Remove the bolt and shoulder anchor.



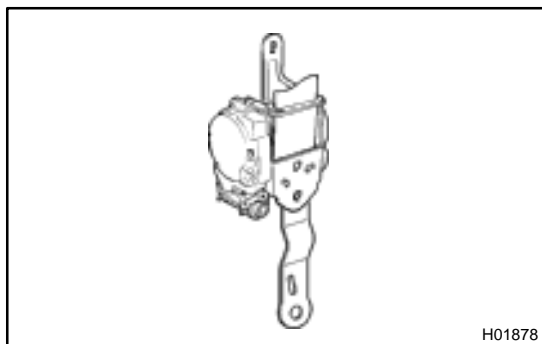
- (d) Disconnect the pretensioner connector as shown in the illustration.
- (e) Remove the 2 bolts and front seat outer belt.



INSPECTION

1. PRETENSIONER IS NOT ACTIVATED

- (a) Perform a diagnostic system check.
(See page [DI-626](#))



- (b) Perform a visual check which includes the following items with the front seat outer belt removed from the vehicle.
- ◆ Check for cuts and cracks in, or marked discoloration of the center pillar lower garnish.
 - ◆ Check for cuts and cracks in wire harnesses, and for chipping in connectors.
 - ◆ Check for deformation of the center pillar.

CAUTION:

For removal and installation of the front seat outer belt, see page [BO-123](#).

Be sure to follow the correct procedure.

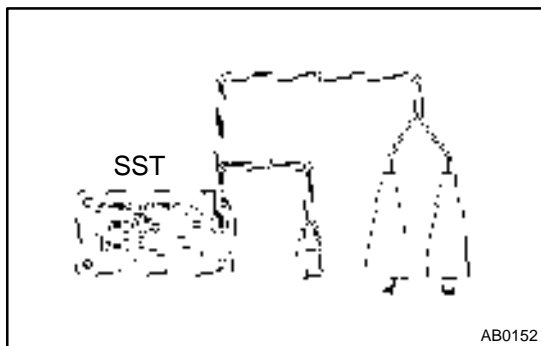
2. PRETENSIONER IS ACTIVATED

- (a) Perform a diagnostic system check.
(See page [DI-626](#))
- (b) Perform a visual check which includes the following items with the front seat outer belt removed from the vehicle.
- ◆ Check for deformation of the center pillar.
 - ◆ Check for damage on the connector and wire harness.

DISPOSAL

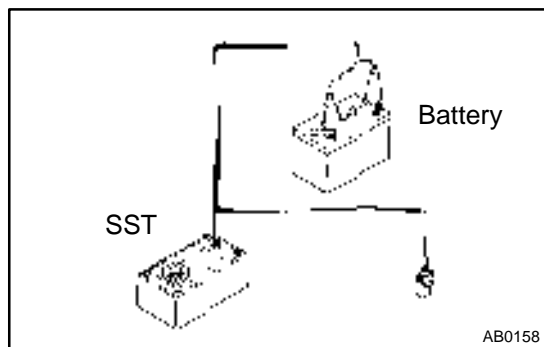
HINT:

When scrapping vehicles equipped with a supplemental restraint system or disposing of a front seat outer belt (with seat belt pretensioner) always first activate the seat belt pretensioner in accordance with the procedure described below. If any abnormality occurs with the seat belt pretensioner operation, contact the SERVICE DEPT. of the DISTRIBUTOR. When disposing of a front seat outer belt (with seat belt pretensioner) deployed in a collision, follow the same procedure given in step 1-(d) in "DISPOSAL".



CAUTION:

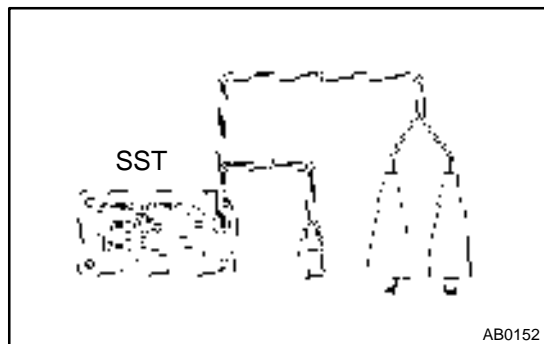
- ◆ Never dispose of front seat outer belt which has an undeployed pretensioner.
- ◆ The seat belt pretensioner produces a sizeable exploding sound when it deploys, so perform the operation out-of-door and where it will not create a nuisance to nearby residents.
- ◆ When deploying the seat belt pretensioner, always use the specified SST. (SRS Airbag Deployment Tool) Perform the operation in a place away from electrical noise.
SST 09082-00700, 09082-00740
- ◆ When deploying a front seat outer belt (with seat belt pretensioner), perform the operation from at least 10 m (33 ft) away from the front seat outer belt.
- ◆ Use gloves and safety glasses when handling a front seat outer belt with operated pretensioner.
- ◆ Always wash your hands with water after completing the operation.
- ◆ Do not apply water, etc. to a front seat outer belt with operated pretensioner.



1. SEAT BELT PRETENSIONER DEPLOYMENT WHEN SCRAPPING VEHICLE

HINT:

Have a battery ready as the power source to deploy the airbag.

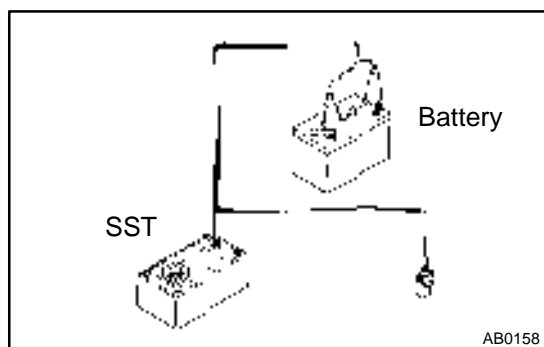


(a) Check functioning of SST

CAUTION:

When deploying the seat belt pretensioner, always use the specified SST: SRS Airbag Deployment Tool.

SST 09082-00700, 09082-00740

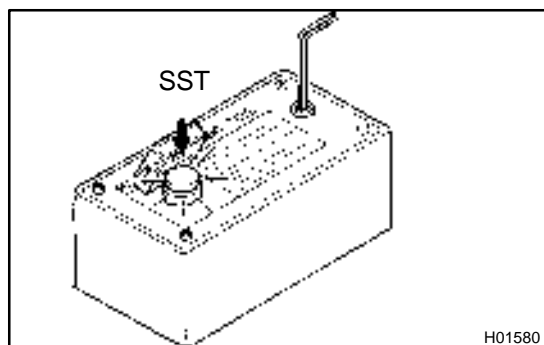


(1) Connect the SST to battery.

Connect the red clip of the SST to the battery positive (+) terminal and the black clip to the battery negative (-) terminal.

HINT:

Do not connect the yellow connector which will be connected with the seat belt pretensioner.



(2) Check functioning of SST

Press the SST activation switch, and check the LED of the SST activation switch lights up.

CAUTION:

If the LED lights up when the activation switch is not being pressed, SST malfunction is probable, so definitely do not use the SST.

(b) Install the SST.

(1) Remove the front door scuff plate.

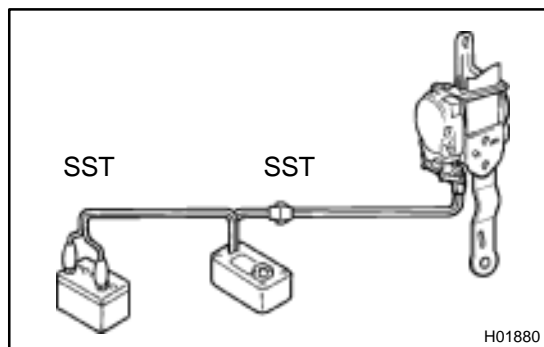
(2) Remove the center pillar lower garnish.

(3) Disconnect the pretensioner connector as shown in the illustration.

(4) Buckle the front seat belt and check that there is no looseness and slack in the front seat inner belt and front seat outer belt.

SST 09082-00700, 09082-00740



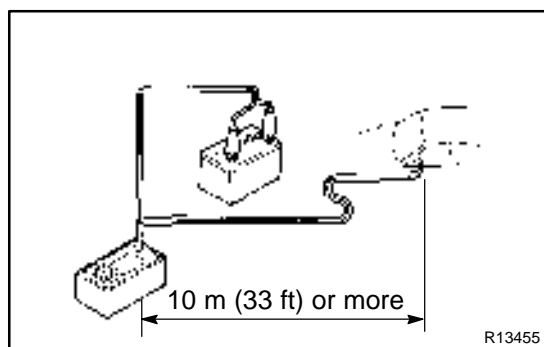


- (5) Connect the 2 SST, then connect them to the seat belt pretensioner.

SST 09082-00700, 09082-00740

NOTICE:

To avoid damaging the SST connector and wire harness, do not lock the secondary lock of secondary lock of the twin lock.



- (6) Move the SST to at least 10m (33 ft) from the front of the vehicle.

- (7) Close all the doors and windows of the vehicle.

NOTICE:

Take care not to damage the SST wire harness.

- (8) Connect the SST red clip the battery positive (-) terminal and the black clip to the negative (+) terminal.

- (c) Deploy the airbag.

- (1) Confirm that no one is inside the vehicle or within 10 m (33 ft) area around of the vehicle.

- (2) Press the SST activation switch and activate the seat belt pretensioner.

HINT:

The seat belt pretensioner operates simultaneously as the LED of the SST activation switch light up.

- (d) Disposal of front seat outer belt (with seat belt pretensioner).

CAUTION:

- ◆ **The front seat outer belt is very hot when the seat belt pretensioner is deployed, so leave it alone for at least 30 minutes after deployment.**
- ◆ **Use gloves and safety glasses when handling a front seat outer belt with deployed seat belt pretensioner.**
- ◆ **Always wash your hands with water after completing the operation.**
- ◆ **Do not apply water, etc. to a front seat outer belt with deployed seat belt pretensioner.**

When scrapping a vehicle, activate the seat belt pretensioner and scrap the vehicle with operated front seat outer belt still installed.

2. DEPLOYMENT WHEN DISPOSING OF FRONT SEAT OUTER BELT ONLY

NOTICE:

- ◆ When disposing of the front seat outer belt (with seat belt pretensioner) only, never use the customer's vehicle to deploy the seat belt pretensioner.
- ◆ Be sure to following the procedure given below when deploying the seat belt pretensioner.

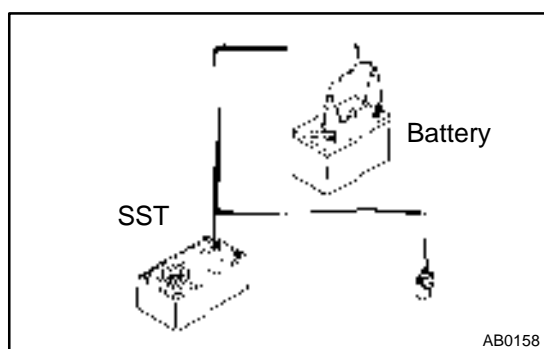
HINT:

Have a battery ready as the power source when deploying the seat belt pretensioner.

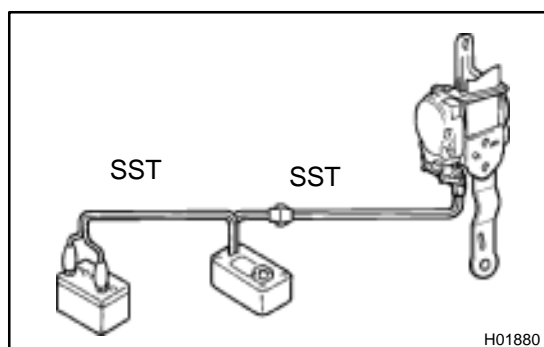
- (a) Remove the front seat outer belt
(See page [BO-123](#))

HINT:

Cut the belt near the seat belt retractor.



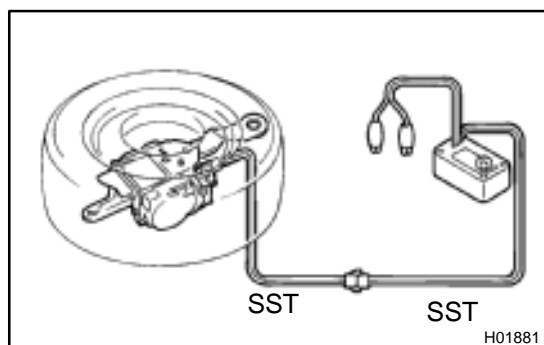
- (b) Check functioning of SST.
(See step 1-(a))
SST 09082-00700, 09082-00740



- (c) Install the SST.
(1) Connect the 2 SST, then connect them to the seat belt pretensioner.
SST 09082-00700, 09082-00740

NOTICE:

To avoid damaging the SST connector and wire harness, do not lock the secondary lock of the twin lock.



- (2) Locate the front seat outer belt on the ground and cover it by the disc wheel with tire.

NOTICE:

Place the front seat outer belt shown in the illustration.

- (3) Move the SST to as least 10 m (33 ft) from the disc wheel.

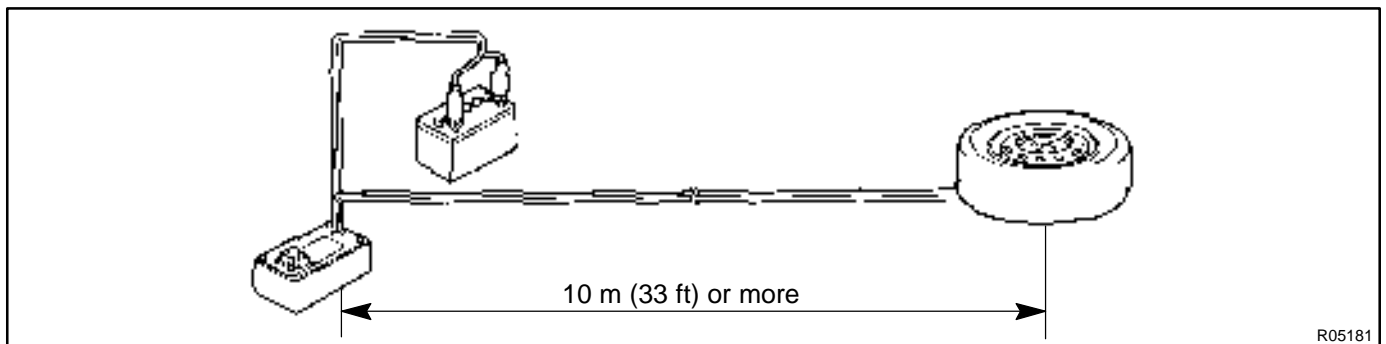
NOTICE:

Take care not to damage the SST wire harness.

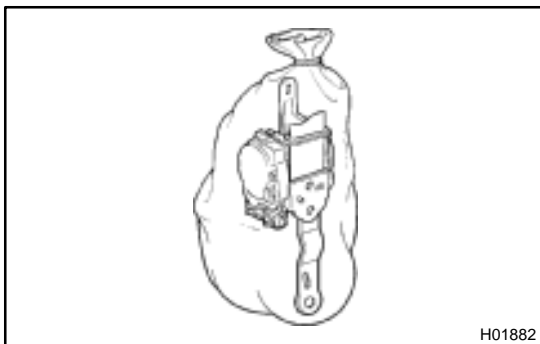
- (d) Deploy the seat belt pretensioner.
- (1) Connect the SST red clip to the battery positive (+) terminal and black clip to the battery negative (-) terminal.
 - (2) Check that no one is within 10 m (33 ft) area around of the disc wheel.
 - (3) Press the SST activation switch and activate the seat belt pretensioner.

HINT:

The seat belt pretensioner operates simultaneously as the LED of the SST activation switch lights up.



R05181



H01882

- (e) Disposal of front seat outer belt (with seat belt pretensioner).

CAUTION:

- ◆ The front seat outer belt is very hot when the seat belt pretensioner is deployed, so leave it alone for at least 30 minutes after deployment.
 - ◆ Use gloves and safety glasses when handling a front seat outer belt with deployed seat belt pretensioner.
 - ◆ Always wash your hands with water after completing the operation.
 - ◆ Do not apply water, etc. to a front seat outer belt with deployed seat belt pretensioner.
- (1) Remove the disc wheel and SST.
 - (2) Place the front seat outer belt in a vinyl bag, tie the end tightly and dispose of in it the same way as other general parts.

REPLACEMENT

REPLACE REQUIREMENTS

In the following cases, replace the seat belt pretensioner.

- ◆ If the seat belt pretensioner has been activated.
- ◆ If the seat belt pretensioner has been found to be faulty in troubleshooting.
- ◆ If the front seat outer belt has been found to be faulty during the check in items 1–(b) or 2–(b).
- ◆ If the front seat outer belt has been dropped.

CAUTION:

For removal and installation of the seat belt pretensioner, see page [BO-126](#) and [BO-134](#).

Be sure to follow the correct procedure.

INSTALLATION

NOTICE:

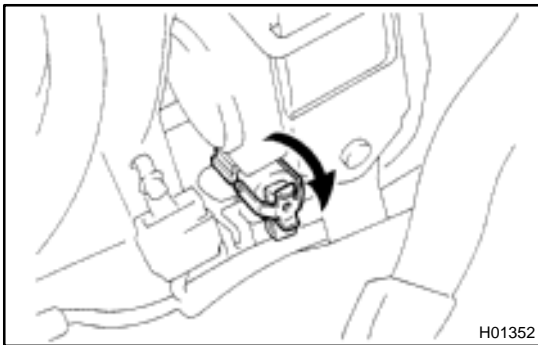
Never use seat belt pretensioner from another vehicle. When replace parts, replace them with new parts.

1. INSTALL FRONT SEAT OUTER BELT

- (a) Install the front seat belt parts by following the reverse order of removal and torque the following bolts.
 - (1) Front seat outer belt retractor
Torque: 7.8 N·m (80 kgf·cm, 69 in.-lbf)
 - (2) Seat belt shoulder anchor
Torque: 42 N·m (430 kgf·cm, 31 ft·lbf)
 - (3) Seat belt floor anchor
Torque: 42 N·m (430 kgf·cm, 31 ft·lbf)

NOTICE:

- ◆ **Make sure that the front seat outer belt is installed with the specified torque.**
- ◆ **If the front seat outer belt has been dropped, or there are cracks, dents or other defects in the case or connector, replace the front seat outer belt with a new one.**
- ◆ **When installing the front seat outer belt, take care that the wiring does not interfere with other parts and is not pinched between other parts.**



- (b) Connect the pretensioner connector as shown in the illustration.
 - (c) w/ Seat Belt Warning:
Connect the retractor switch connector.
- ### 2. INSTALL THESE PARTS:
- (a) Center pillar lower garnish
 - (b) Front door scuff plate