

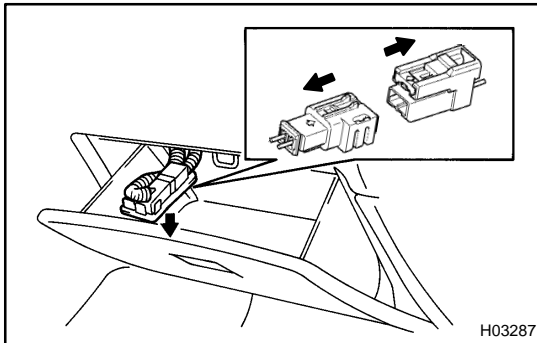
## REMOVAL

### NOTICE:

- If the wiring connector of the SRS is disconnected and the ignition switch is in ON or ACC position, DTCs will be recorded.
- Never use the airbag parts from another vehicle. When replacing parts, replace them with new parts.

### HINT:

For step 2 to 4, refer to page [BO-75](#).



### 1. DISCONNECT AIRBAG CONNECTOR

- (a) Remove the glove compartment door finish plate inside the glove compartment box.

### NOTICE:

When handling the airbag connector, take care not to damage the airbag wire harness.

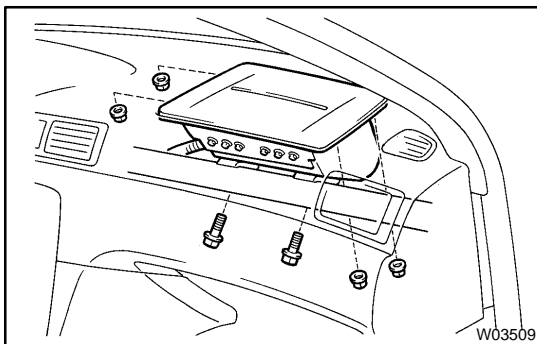
- (b) Pull up the connector.  
 (c) Disconnect the front passenger airbag connector.

### 2. REMOVE FRONT DOOR SCUFF PLATE

### 3. REMOVE COWL SIDE TRIM

### 4. REMOVE GLOVE COMPARTMENT BOX

### 5. REMOVE FRONT PASSENGER AIRBAG ASSEMBLY



Remove the 2 bolts, 4 nuts and front passenger airbag assembly.

### CAUTION:

- Do not store the front passenger airbag assembly with the airbag deployment side facing downward.
- Never disassemble the front passenger airbag assembly.